

## AT-T1K

High power passive transformer for HF whip antennas, 2-30 MHz  
Commercial & Marine Antennas



### Application

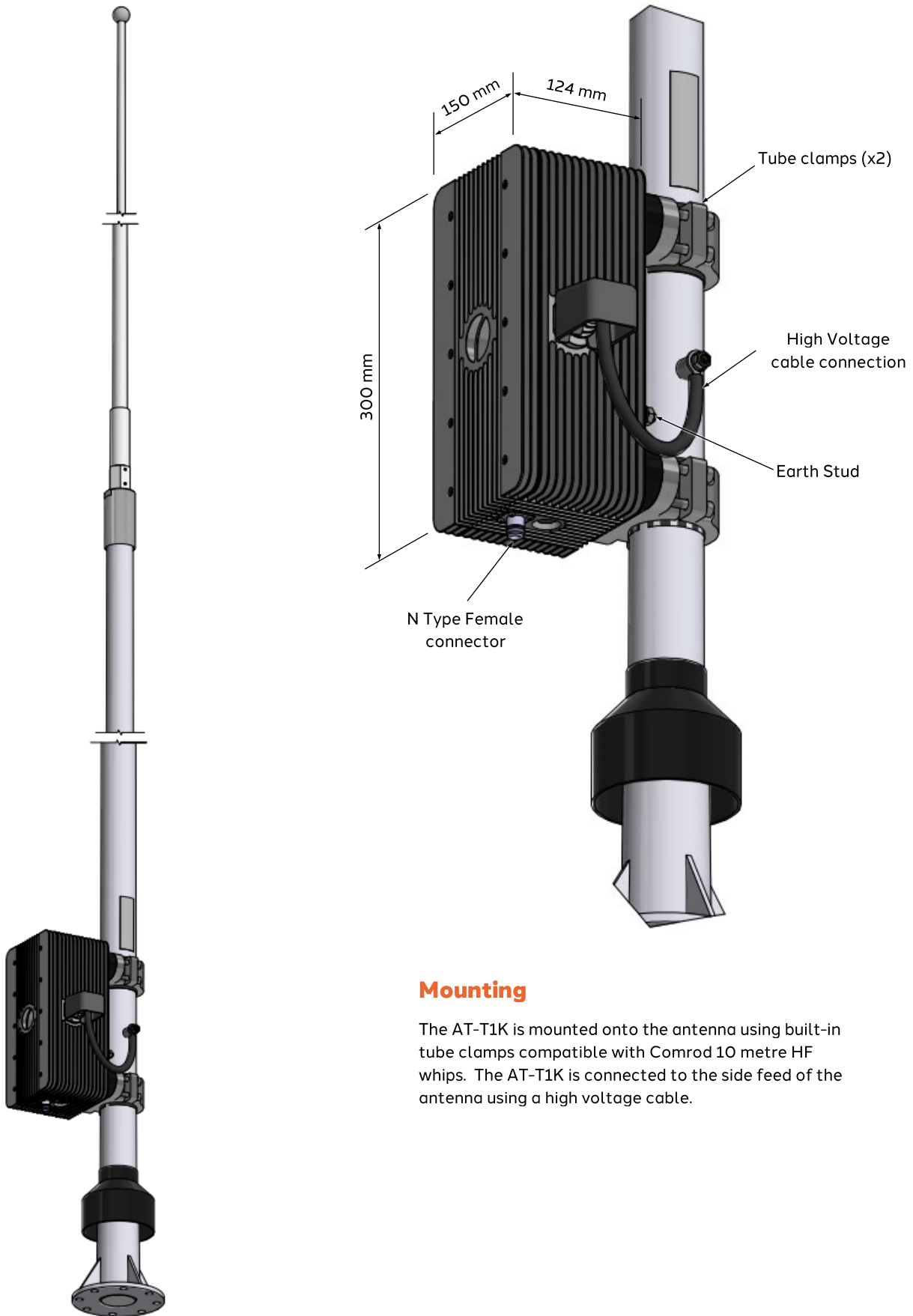
- High power passive transformer for use with Comrod side feed 10 m whips
- 1.6-30 MHz
- 50 ohm, N type female connector
- 1 KW PEP
- Broadband - no tuning
- Gain comparable to a commercial maritime tuner and whip
- Reduced cabling – no DC power required

### Electrical Specifications

Frequency Range	1.6-30 MHz
Nominal Impedance	50 ohm
VSWR	<3:1 nominal, <3.5:1 max
Power Rating	1 KW PEP 300 W CW
Gain	Comparable to an active tuner above approx. 4MHz
Connector	N type female
DC-Grounded	Yes

### Mechanical Specifications

Design	Broadband passive transformer. Housing manufactured from aluminium.
Dimensions	300 x 150 x 124 mm (see overleaf)
Weight	7.2 kg
Finish	Grey
Temperature Range	- 55°C to + 55°C
Water Proofing	IP67



### Mounting

The AT-T1K is mounted onto the antenna using built-in tube clamps compatible with Comrod 10 metre HF whips. The AT-T1K is connected to the side feed of the antenna using a high voltage cable.

March 2023

All specifications are subject to change without notice  
 The information contained herein is for reference only and does not constitute a warranty of performance

Partnered Supplier



[sales@eylex.com.au](mailto:sales@eylex.com.au)  
[www.eylex.com.au](http://www.eylex.com.au)

