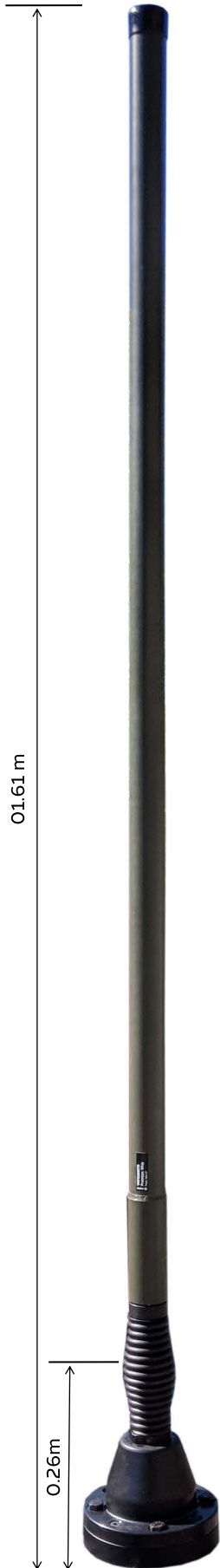


VHF302700TB-WBS

VHF/UHF/L-S Band vehicle whip, tri-band, monopole/dipole/dipole,
1.64 m, 30-88 MHz, 225-450 MHz, 700-2700 MHz

Tactical Antennas: Vehicle Mount



Features

- Unique tri-band design (patented)
- 30-88 MHz, 225-450 MHz & 700-2700 MHz
- Single RF port for VHF/UHF/L-S band
- Designed for operation on all vehicles including armoured
- Suitable for operation on shelters, masts or in other permanent installations
- Rugged high quality antenna with a durable construction
- NATO flange base with spring
- UHF dipole and L-S band antenna elements are located high up in the whip for maximum range
- VHF requires a ground plane
- Optional L1/L2 GPS installed in antenna base

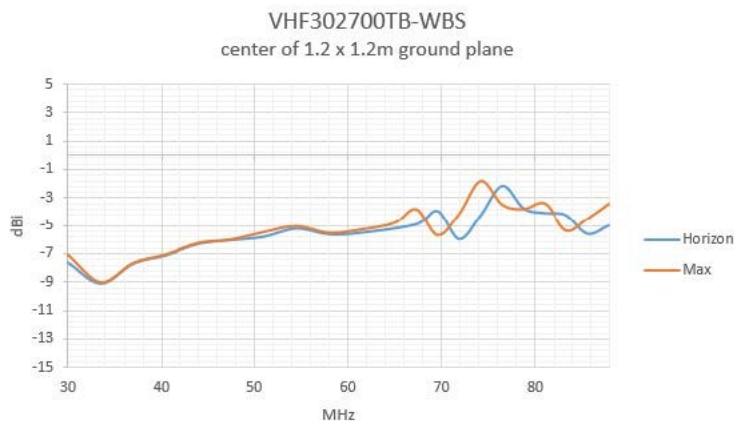
Electrical Specifications

Frequency Range	VHF: 30-88 MHz UHF: 225-450 MHz L-S band: 700-2700 MHz GPS (option): L1 - 1575.42 ± 10 MHz L2 - 1227.60 ± 10 MHz
VSWR	VHF: ≤ 3.5:1, UHF: ≤ 3.0:1, L-S band: ≤ 3.0:1
Nominal Impedance	50 ohm
Power Rating	VHF: 50 W, UHF: 50 W, L-S Band: 50 W
Gain	See graphs overleaf
Radiation Pattern	Omnidirectional within ±2 dB
Polarisation	Vertical
Connector	VHF/UHF/L-S band: N female GPS (option): SMA female

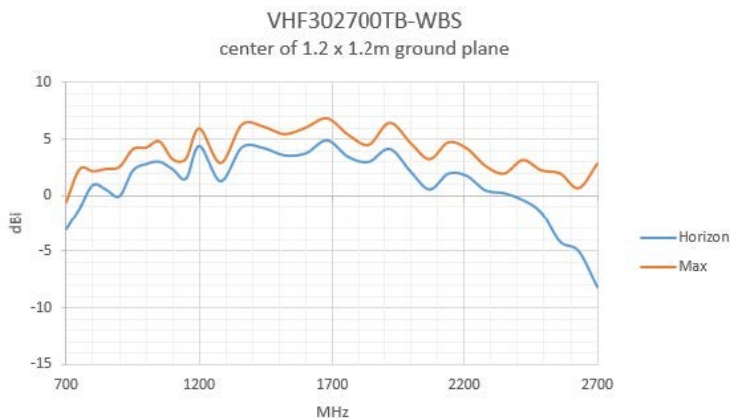
Mechanical Specifications

Design	VHF: End feed monopole. UHF: Dipole. L-S band: Dipole elements. Radiating elements completely enclosed in epoxy/fibreglass laminate. Metal parts are brass, aluminium and stainless steel.
Length	1.61 m
Weight	Whip: 1.2 kg Base: 2.7 kg
Wind Rating	55 m/s (201 kph)
Finish	Polyurethane lacquer
Temperature Range	- 55°C to + 71°C

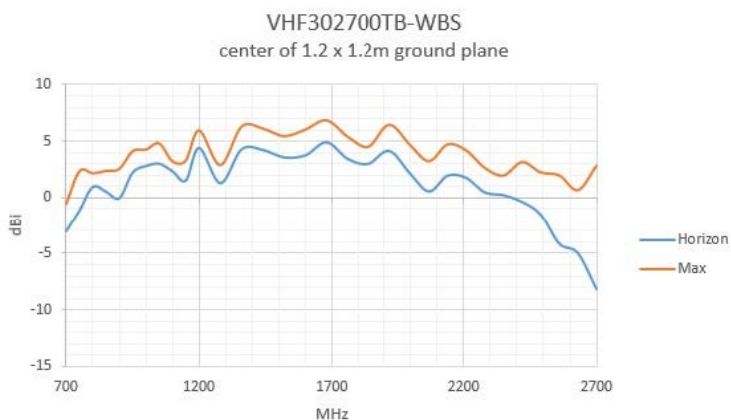
Gain Curves



VHF gain, dBi, in the centre of 1.2 x 1.2m (4 x 4 ft) ground plane.
Gain will improve significantly on a 3 x 3m (10ft x 10ft) ground-plane

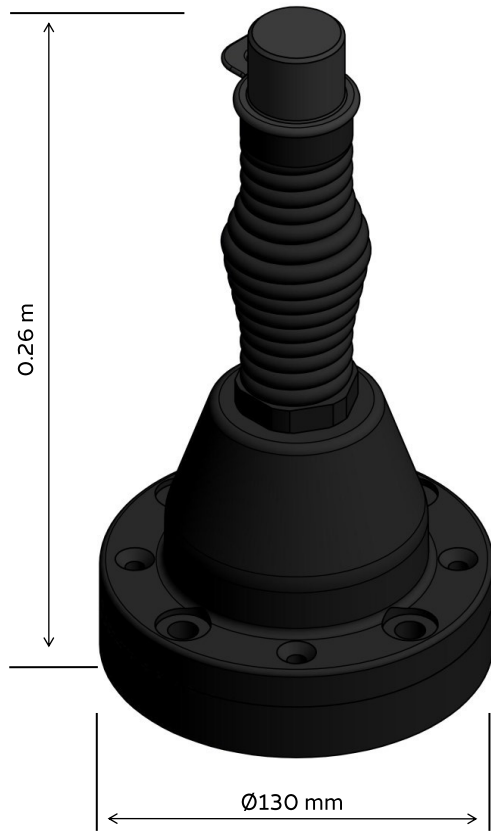


UHF gain, dBi

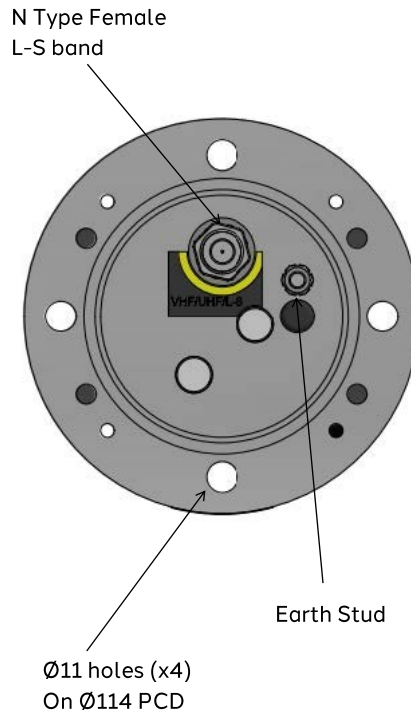


L-S band gain, dBi

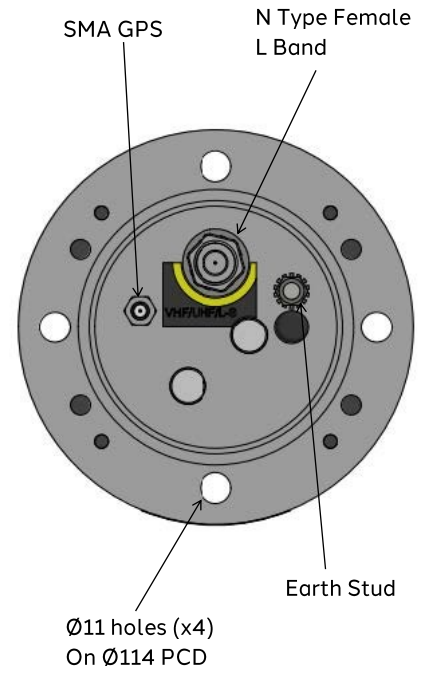
NATO 4-Hole Base



Standard Base



L1/L2 GPS Base



GPS Electrical Specifications

	L1 GPS	L1/L2 GPS
Frequency Band	1575.42 ± 10 MHz	1227.60 ± 10 MHz 1575.42 ± 10 MHz
Supply Voltage	2.7-5.5 V	2.7-5.5 V
Pre-amplifier	25 dB @ 5 V	26.5 dB @ 5 V
Noise Figure	2.5 dB	2.5 dB
Supply Current	< 20 mA	< 42 mA
Polarisation	RHCP	RHCP
Connector	SNA female	SMA female

January 2023

All specifications are subject to change without notice
The information contained herein is for reference only and does not constitute a warranty of performance

Partnered Supplier



sales@eylex.com.au
www.eylex.com.au

