

UHF560VM

Low-profile wideband (SDR) vehicle dipole, 0.25 m, 500–6000 MHz
Tactical Antennas: Vehicle Mount



Features

- Frequency 500–6000 MHz
- Dipole design
- Wideband operation - no tuning required
- Standard 4-hole NATO pattern mounting
- Designed for use on all modern in-service military platforms, including armoured or soft skin, metal chassis or composite, wheeled or tracked

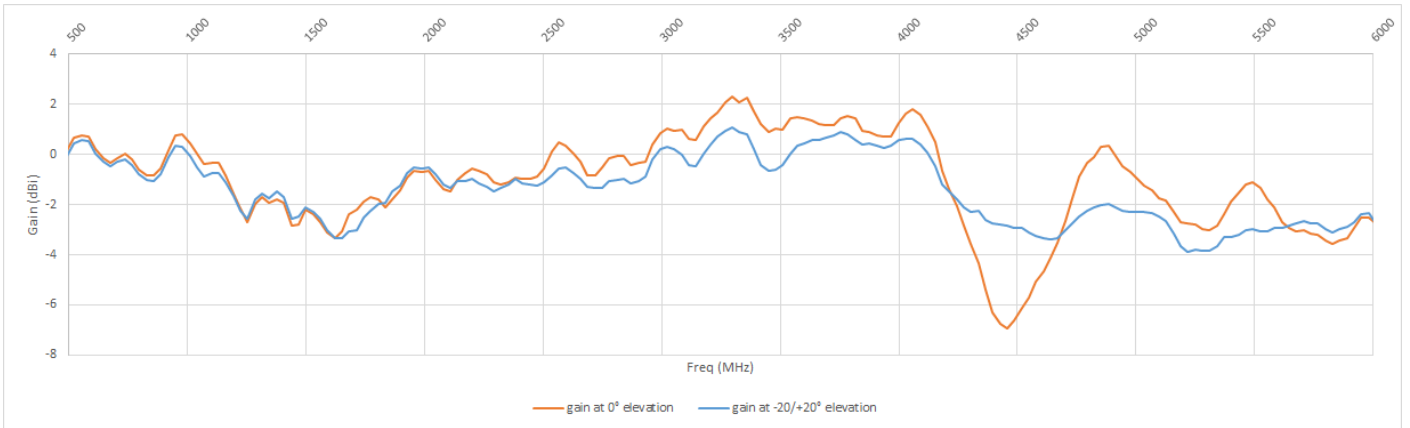
Electrical Specifications

Frequency	500 - 6000 MHz
Polarisation	Vertical
Impedance	50 Ohm
VSWR	< 3:1 (see curve)
Gain	See gain curve
Pattern	Azimuth: Omnidirectional Elevation: Dipole
Power	100 W CW
Connector	N Type Female

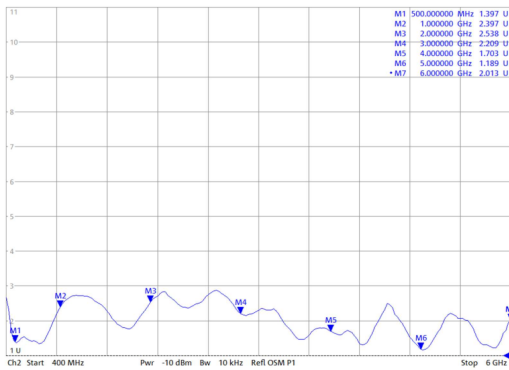
Mechanical Specifications

Design	Centre-fed conical dipole. Radiating element completely enclosed in POM cover. Metal parts are brass, aluminium and stainless steel.
Dimensions	Height 249 mm Diameter 140 mm
Weight	0.95 kg
Wind Rating	55 m/s = 201 kph
Finish	Polyurethane Lacquer
Temperature Range	- 55 °C to + 71°C

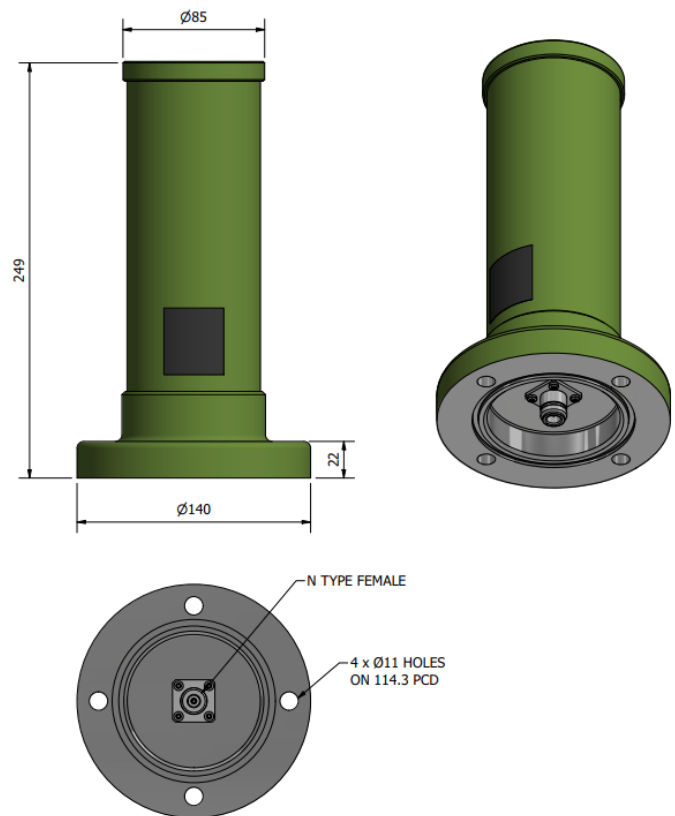
Gain



VSWR



Outline Dimensions



July 2022

All specifications are subject to change without notice
The information contained herein is for reference only and does not constitute a warranty of performance

Partnered Supplier



sales@eylex.com.au
www.eylex.com.au

