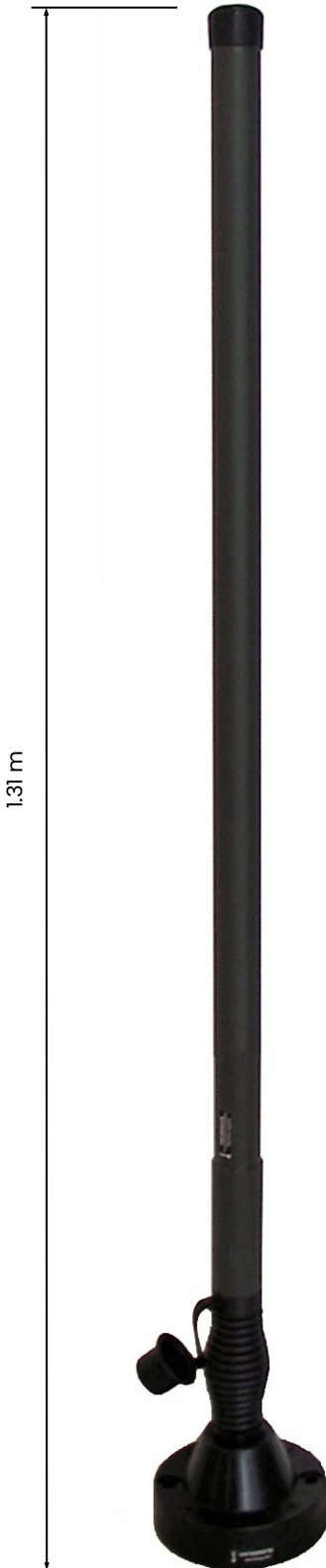


UHF2252600DB

UHF/L-Band vehicle whip, dipole/dipole, 1.31 m,
225-450, 1200-2600 MHz

Tactical Antennas: Vehicle Mount



Technical Description

- 225-450 MHz and 1200-2600 MHz
- 2-port version - UHF and L-S band
1-port version - combined UHF and L-S band
- Dual-dipole design, ground plane independent
- Designed for operation on all kinds of vehicles including armoured vehicles
- Suitable for operation on shelters and to be mounted on masts or in other permanent installations
- Rugged high quality antenna with a durable construction
- NATO flange base with spring

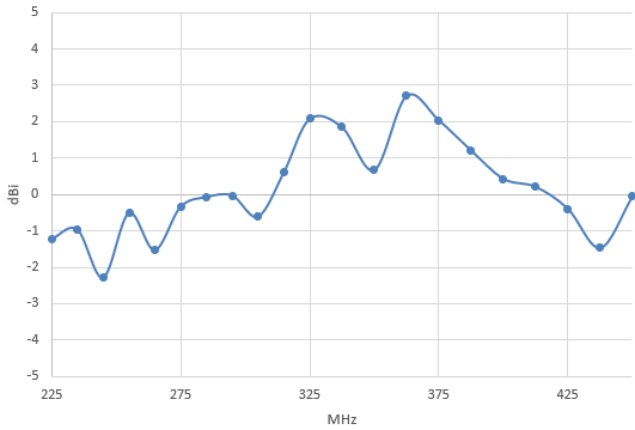
Electrical Specifications

Frequency Range	UHF: 225-450 MHz L-band: 1200-2600 MHz
VSWR	2-port: UHF < 3.0:1, L-S band < 3.0:1 1-port: UHF / L-S band 3.0:1
Port-to-Port Isolation	2-port: > 40 dB
Nominal Impedance	50 Ω
Power Rating	UHF: 75 W L-band: 50 W
Gain	UHF: See plot L-band: See plot
Radiation Pattern	Azimuth: Omnidirectional within ±2.5 dB
Polarisation	Vertical
Connector	2-port: UHF: BNC female, L-S band: N female 1-port: UHF/L-S band: N female

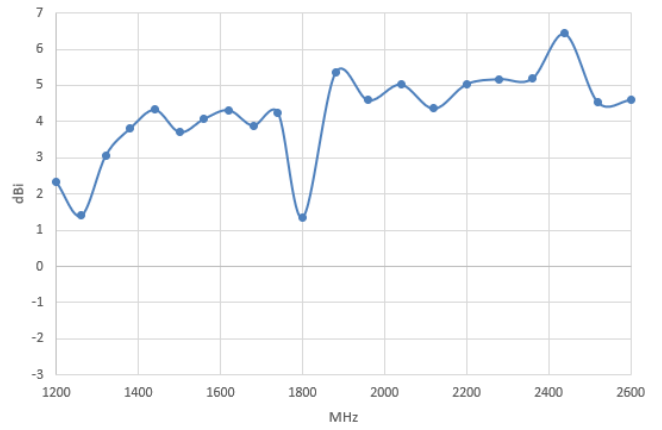
Mechanical Specifications

Design	UHF: dipole. L-band: dipole array. Radiating elements completely enclosed in epoxy/fibreglass laminate. Metal parts are brass, stainless steel and aluminium.
Length	1.31 m
Weight	Whip: 1.0 kg Base: 2.45 kg
Wind Rating	55 m/s
Finish	Polyurethane lacquer
Temperature Range	- 55°C to + 71°C

Typical Gain Plots (on horizon)



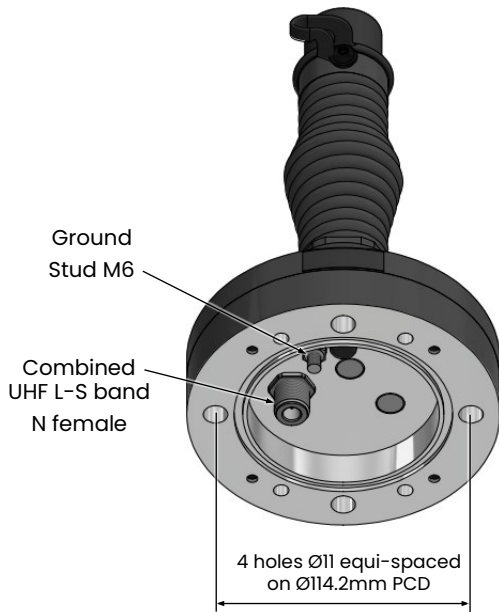
UHF, 225-450 MHz, Gain, dBi



L-S band, 1200-2600 MHz, Gain, dBi

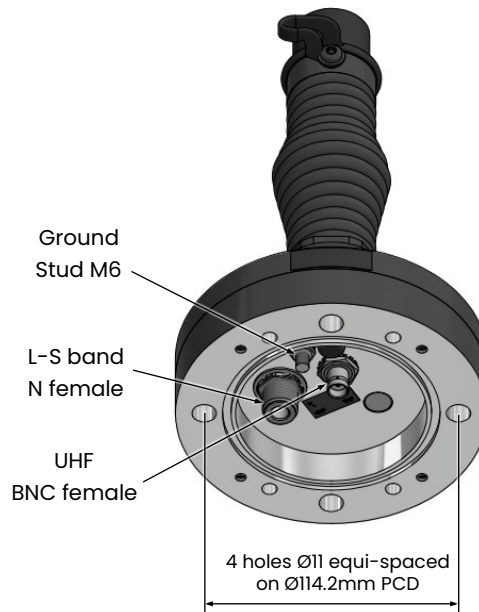
Base Details and Connections

1-Port
Base height 240mm



Mounting flange Ø139mm, thickness 37mm

2-Port
Base height 240mm



Mounting flange Ø139mm, thickness 37mm

July 2022

All specifications are subject to change without notice
The information contained herein is for reference only and does not constitute a warranty of performance

Partnered Supplier



sales@eylex.com.au
www.eylex.com.au

