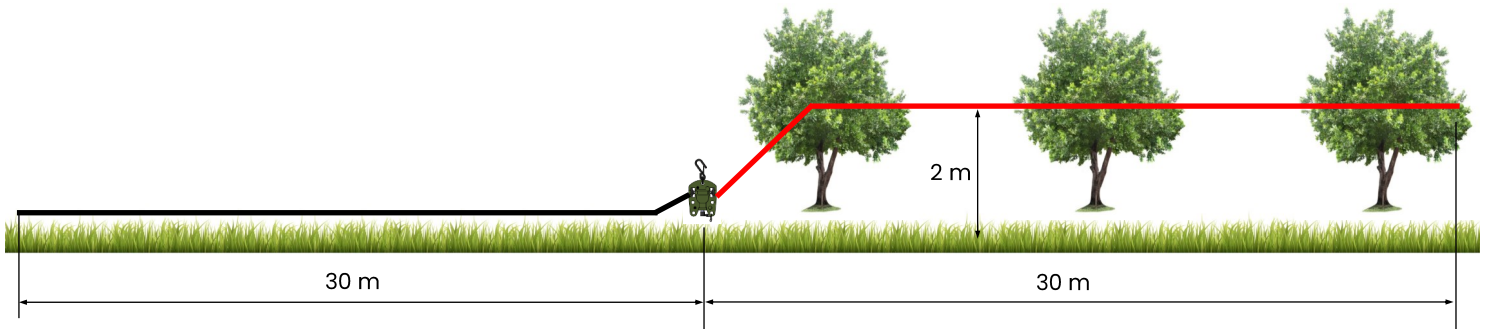


## HF230LW

HF long wire NVIS Antenna, 1.6-30 MHz, 2 x 30 m, 1.6-30 MHz

**Tactical Antennas: Tactical and Base Station**



### Features

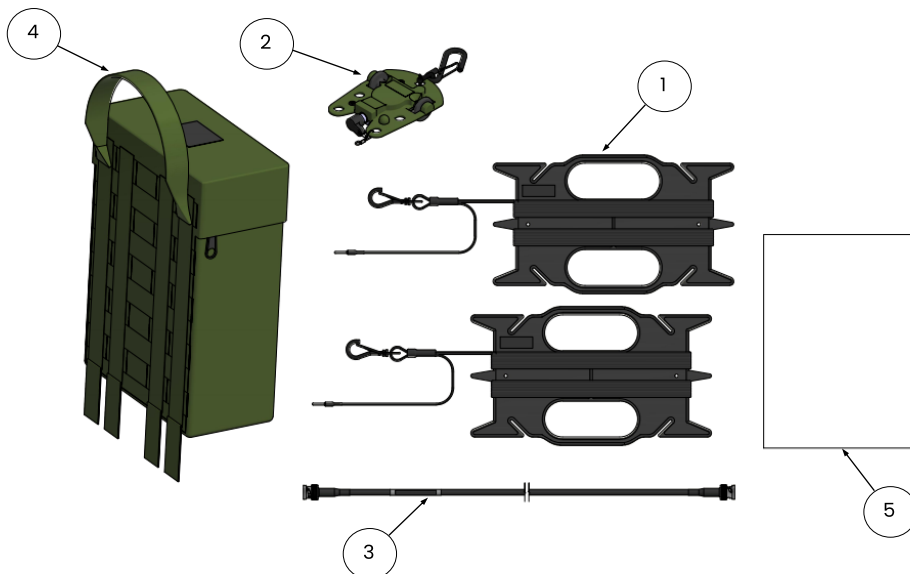
- 1.6-30 MHz (to be use with a tuner or combined radio/tuner below 5 MHz)
- Long wire antenna for NVIS communications
- Quick and easy to deploy
- Packs down into a compact lightweight bag for transportation

### Electrical Specifications

<b>Frequency Range</b>	1.6-30 MHz
<b>VSWR</b>	Dependent on installation and clearance to the ground
<b>Nominal Impedance</b>	50 $\Omega$
<b>Power Rating</b>	20 W CW
<b>Connector</b>	BNC

### Mechanical Specifications

<b>Design</b>	Long wire antenna with centre balun
<b>Length</b>	2 x 30 m
<b>Weight</b>	1.4 kg
<b>Temperature</b>	- 55°C to + 71°C



### Kit List

Description	Item	Qty
Line 30 m	1	2
Balun	2	1
Coaxial Cable 3m (2 x BNC)	3	1
Carrying Bag	4	1
Installation Manual	5	1

February 2022

All specifications are subject to change without notice  
The information contained herein is for reference only and does not constitute a warranty of performance

Partnered Supplier



sales@eylex.com.au  
www.eylex.com.au