

DIPLEX-480700-S

Diplexer, UHF/L-S Band (LTE), Small Form Factor,
118-480 MHz, 700-2700 MHz

Control Systems, Couplers and Diplexers



Features

- Diplexer for combining two radios into one antenna
- 118-480 MHz and 700-2700 MHz
- Low loss
- High isolation
- IP67

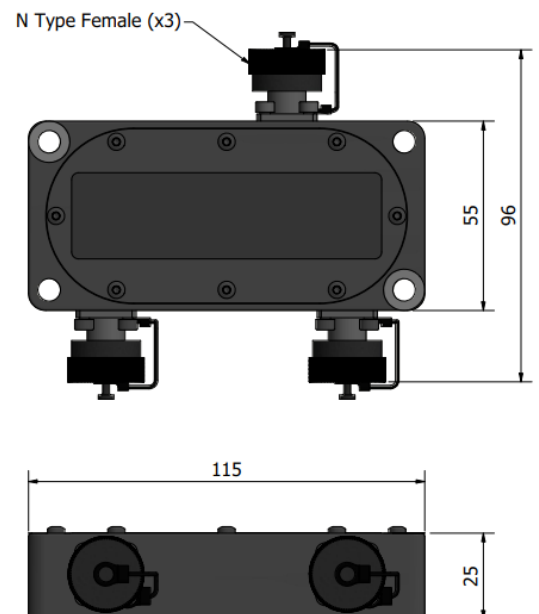


Electrical Specifications

| | |
|-----------------------------|--|
| Frequency Range | 118-480 MHz 700-2700 MHz |
| VSWR | 118-480 MHz < 1.3:1 700-2700 MHz < 1.3:1 typical < 2.5:1 maximum |
| Nominal Impedance | 50 Ω |
| Power Rating | 118-2700 MHz 50 W |
| In-Band Loss | < -0.2 dB typical < -1.6 dB maximum |
| Isolation (P1 to P2) | 100-360 MHz < -55 dB 360-480 MHz < -22 dB 700-2700 MHz < -40 dB |
| Connectors | 3 x N Type female |

Mechanical Specifications

| | |
|---------------------------|-------------------|
| Design | Aluminium housing |
| Dimensions Housing | 115 x 55 x 25 mm |
| Dimension Overall | 115 x 96 x 25 mm |
| Weight | 0.45 kg |
| Temperature Range | - 55°C to + 71°C |



February 2022

All specifications are subject to change without notice
The information contained herein is for reference only and does not constitute a warranty of performance

Partnered Supplier



sales@eylex.com.au
www.eylex.com.au