

UHF560EF-Series

Low-profile wideband (SDR) vehicle monopole, 0.12 m, 500–6000 MHz
Tactical Antennas: Vehicle Mount



Features

- Frequency 500–6000 MHz
- End fed monopole design
- Ground plane required 500–700 MHz
No ground plane required above 700 MHz
- Wideband operation - no tuning required
- Mounting options:
 - Permanent - Standard 4-hole NATO pattern
 - Temporary - Magnetic mounting
- Designed for use on all modern in-service military platforms, including armoured or soft skin, metal chassis or composite, wheeled or tracked

Electrical Specifications

Frequency	500–6000 MHz
Polarisation	Vertical
Impedance	50 Ω
VSWR	< 3.0:1 (2.2:1 typical)
Gain	See gain curve
Pattern	Azimuth: Omnidirectional Elevation: Monopole
Power	100 W CW
Connector	UHF560EF N Type female UHF560EFM SMA female



UHF560EF - NATO 4-Hole Mount

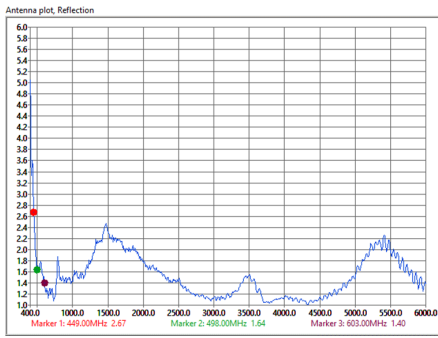
Mechanical Specifications

Design	End fed conical monopole. Radiating element completely enclosed in POM cover. Metal parts are brass, aluminium and stainless steel.
Dimensions	Height 119 mm Diameter 140 mm
Weight	1.2 kg
Wind Rating	55 m/s = 201 kph
Finish	Self colour black
Temperature Range	- 55°C to + 71°C



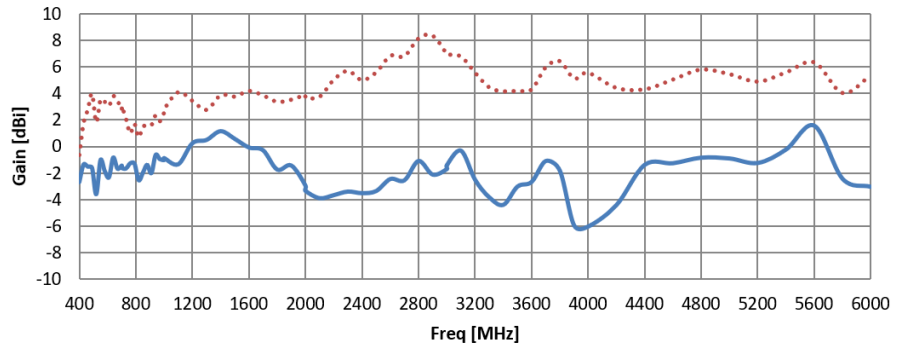
UHF560EFM - Magnetic + NATO 4-Hole Mount

VSWR



Mounted on a 50 x 50 cm ground plane

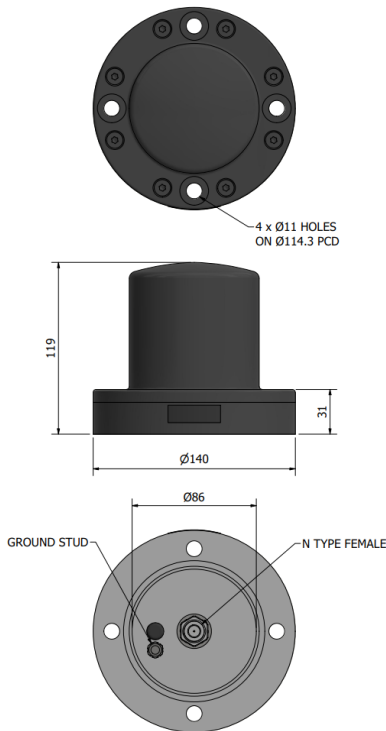
Gain



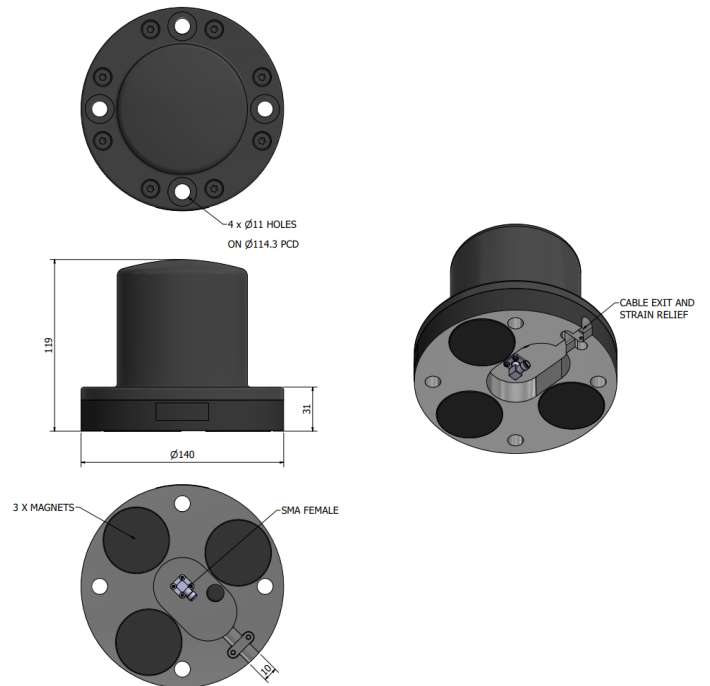
— Gain 0°/180° [dBi] Max gain max direction [dBi]

Outline Dimensions

UHF560EF (NATO 4-Hole Mount)



UHF560EFM (Magnetic + NATO 4-Hole Mount)



July 2022

All specifications are subject to change without notice
The information contained herein is for reference only and does not constitute a warranty of performance

Partnered Supplier



sales@eylex.com.au
www.eylex.com.au

