

VHF302600TB-F

VHF/UHF/L-Band vehicle whip, tri-band, high isolation, monopole/dipole/dipole, 1.64 m, 30-88 MHz, 225-450 MHz, 1200-2600 MHz

Tactical Antennas: Vehicle Mount



Features

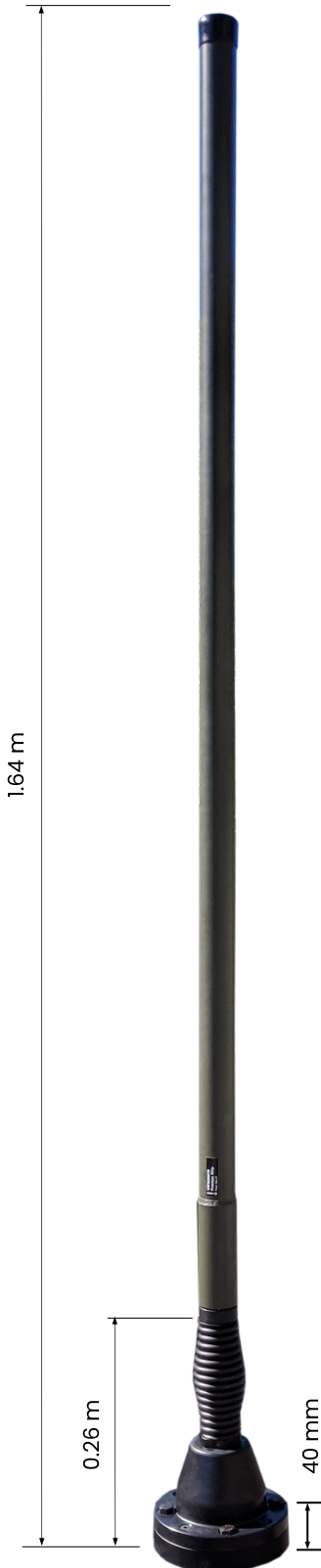
- Unique tri-band design (patented) with high isolation between ports
- 30-88 MHz, 225-450 MHz and 1200-2600 MHz
- 3-ports VHF, UHF and L-S band with high isolation between bands
- Designed for operation on all military platforms
- Suitable for operation on shelters, mounted on masts or in other permanent installations
- Rugged high quality antenna with a durable construction
- NATO flange base with spring
- UHF dipole and L-S band antenna elements are located high up in the whip for maximum range
- VHF requires a ground plane
- Optional L1/L2 GPS installed in antenna base

Electrical Specifications

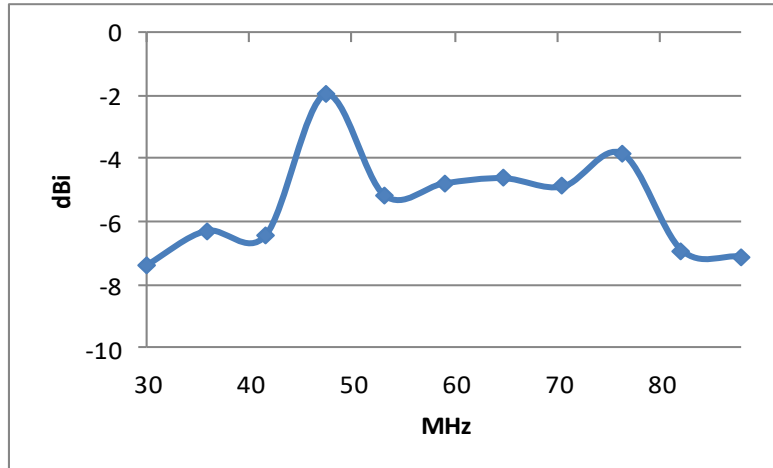
Frequency Range	VHF: 30-88 MHz UHF: 225-450 MHz L-S band: 1200-2600 MHz GPS (option): L1 - 1575.42 ± 10 MHz L2 - 1227.60 ± 10 MHz
VSWR	VHF: < 3.5:1, UHF: < 3.0:1, L-S band: < 3.0:1
Port-to-Port Isolation	UHF - L-S band: >75 dB for UHF, >55 dB for L-S band UHF - VHF: >60 dB for VHF, >65 dB for UHF VHF - L-S band: >65 dB for VHF, >55 dB for L-S band
Nominal Impedance	50 Ω
Power Rating	VHF: 75 W, UHF: 75 W, L-S Band: 50 W
Gain	See graphs overleaf
Radiation Pattern	Omnidirectional within ±2 dB
Polarisation	Vertical
Connector	VHF: BNC female, UHF: BNC female, L-S band: N female GPS (option): SMA female

Mechanical Specifications

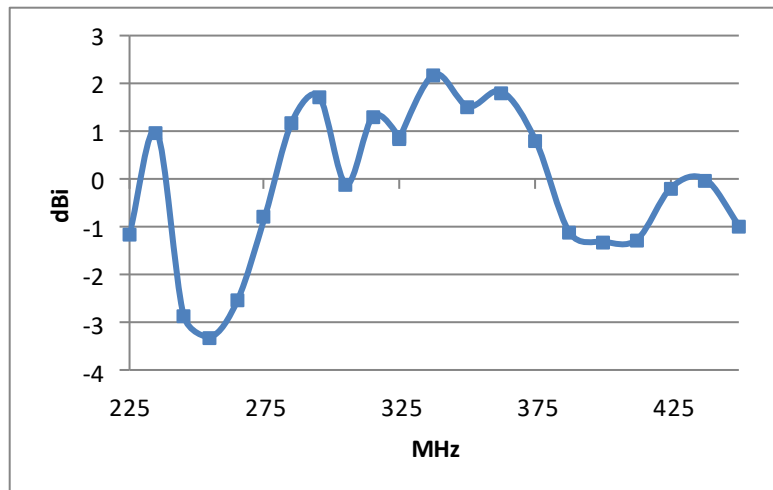
Design	VHF: End feed monopole. UHF: Dipole. L-S band dipole elements. Radiating elements completely enclosed in epoxy/fibreglass laminate. Metal parts are brass, aluminium and stainless steel.
Length	1.64 m
Weight	Whip: 1.2 kg Base: 2.7 kg
Wind Rating	55 m/s (201 kph)
Finish	Polyurethane lacquer
Temperature Range	- 55°C to + 71°C



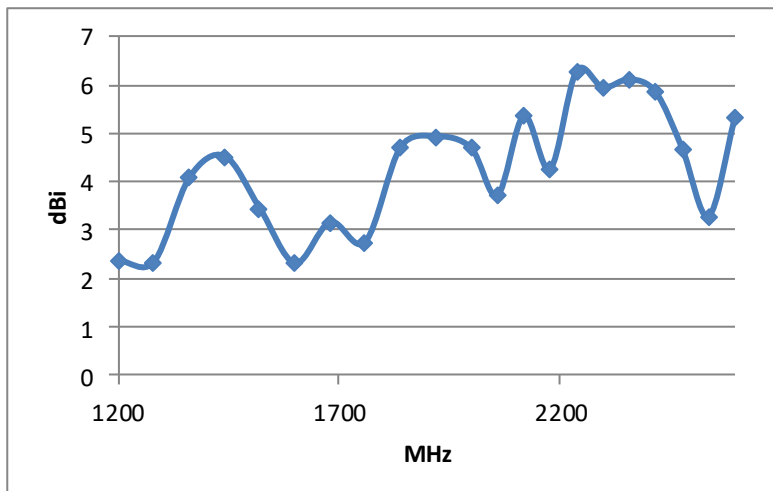
Gain Curves



VHF gain, dBi, in the centre of 1.2 x 1.2 m ground plane.
Gain will improve significantly on a 3 x 3 m ground plane

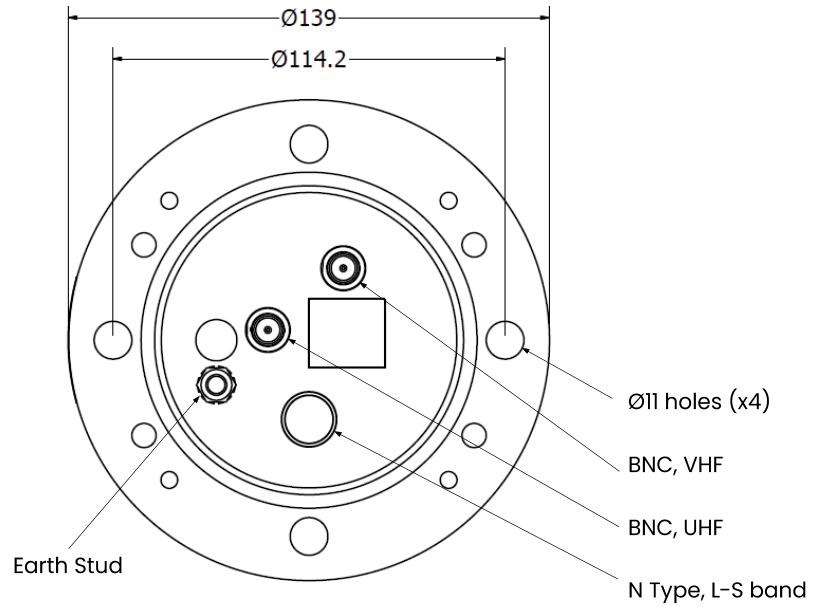
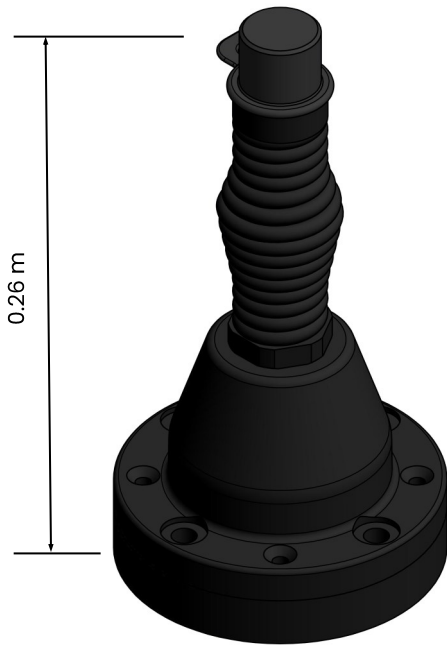


UHF gain, dBi

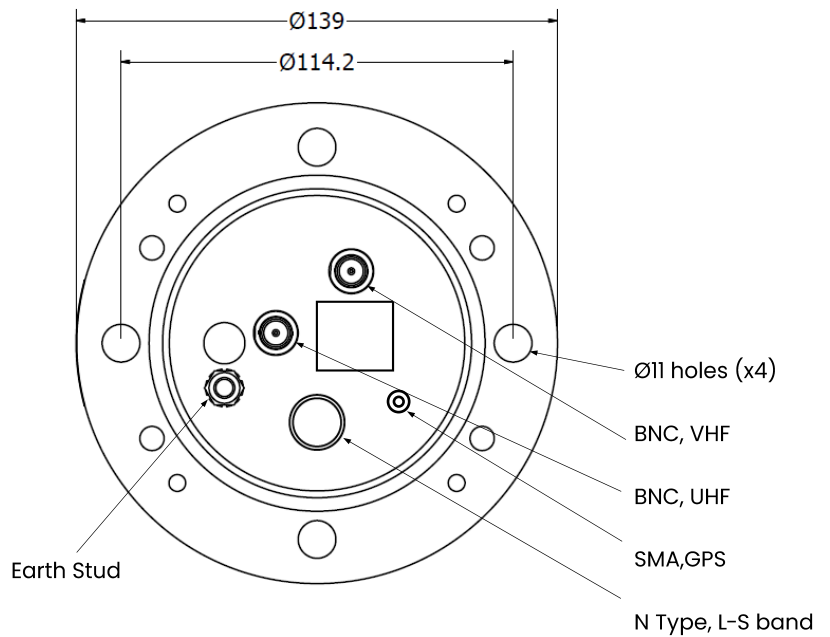
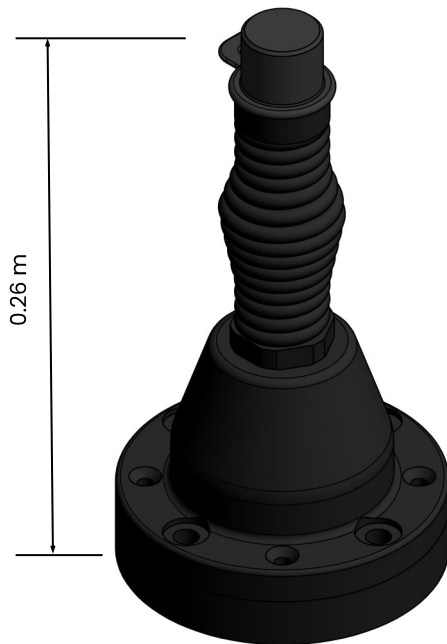


L-S band gain, dBi

Nato 4-Hole Base



Nato 4-Hole GPS Base (Option)



GPS Electrical Specifications

	L1 GPS	L2 GPS
Frequency Band	1575.42 ± 10 MHz	1227.60 ± 10 MHz
Power Supply	2.7-5.5 V @ <60 mA, + centre	2.7-5.5 V @ <60 mA, + centre
Amplifier Gain	25 dB, GPS	25 dB, GPS
Pre-amplifier	26.5 dB @ 5 V	26.5 dB @ 5 V
Noise Figure	2.5 dB	2.5 dB
Polarisation	RHCP	RHCP

October 2021

All specifications are subject to change without notice
The information contained herein is for reference only and does not constitute a warranty of performance

Partnered Supplier



sales@eylex.com.au
www.eylex.com.au

