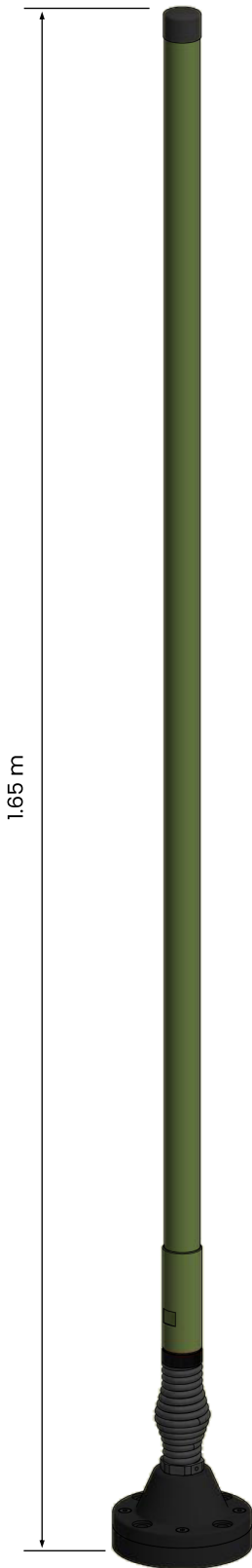


VHF108200VM Series

VHF/UHF vehicle whip, dipole, 1.65 m, 108–200 MHz

Tactical Antennas: Tactical and Base Station



VHF108200VM
(Base type A)

Features

- 108–200 MHz
- Dipole design
- Designed for operation on all military & civilian platforms such as shelters, mounted on masts or on permanent installations
- Rugged high quality antenna with a durable construction
- NATO flange base options available including vehicle/shelter, mast mount and GPS
- Permanent mast mount bracket option

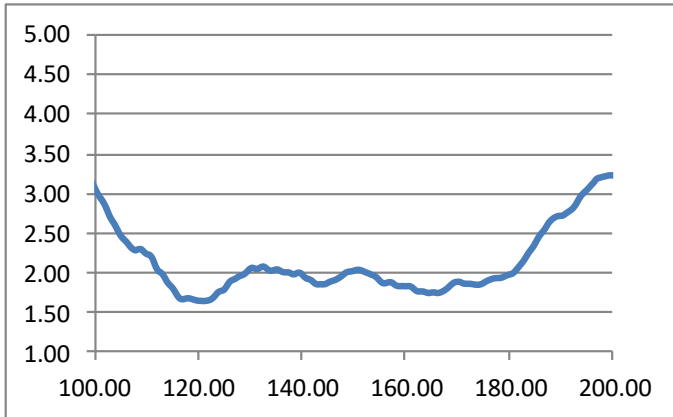
Electrical Specifications

| | |
|--------------------------|---|
| Frequency Range | 108–200 MHz |
| VSWR | < 2.5:1 136–174 MHz < 3:1 108–185 MHz < 3.5:1 185–200 MHz (see diagram) |
| Impedance | 50 ohm |
| Power Rating | 50 W continuous for 15 minutes |
| Gain | See curve |
| Radiation Pattern | Azimuth: Omnidirectional |
| Polarisation | Vertical |
| Connector | N female (others on request) |

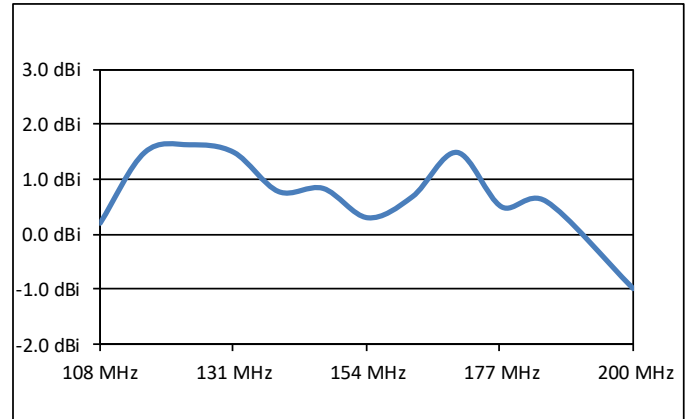
Mechanical Specifications

| | |
|--------------------------|---|
| Design | Centre fed dipole. Radiating element completely enclosed in epoxy/fibreglass laminate. Metal parts are brass and stainless steel. |
| Length | 1.65 m (base type A) |
| Weight | 4.15 kg (base type A) |
| Wind Rating | 55 m/s = 201 kph |
| Finish | Polyurethane lacquer, colour on request. |
| Temperature Range | - 55°C to + 71°C |
| Installation | See over page |

VSWR (typical)



Gain (typical)

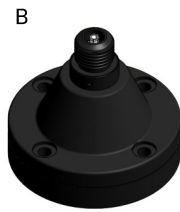


Base Options

Bases are available to suite most mounting configurations. L1 and L1/L2 GPS and high voltage protection is also available on many bases. Below is a small selection, please view datasheet *Dipole-Antenna-Mounts.pdf* for a more detailed selection or contact Eylex to discuss your requirements.



A
NATO 4-hole Spring
GPS Option
4 x M10 or 3/8" Bolts
on 114 mm PCD
Base Dia. 140 mm



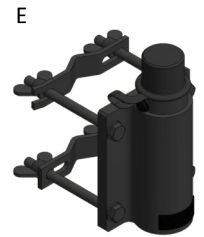
B
NATO 4-hole Rigid
GPS Option
4 x M10 or 3/8" Bolts
on 114 mm PCD
Base Dia. 140 mm



C
NATO 50 mm Thread
GPS Option
Base Dia. 74 mm
Base Dia. 95 mm - GPS

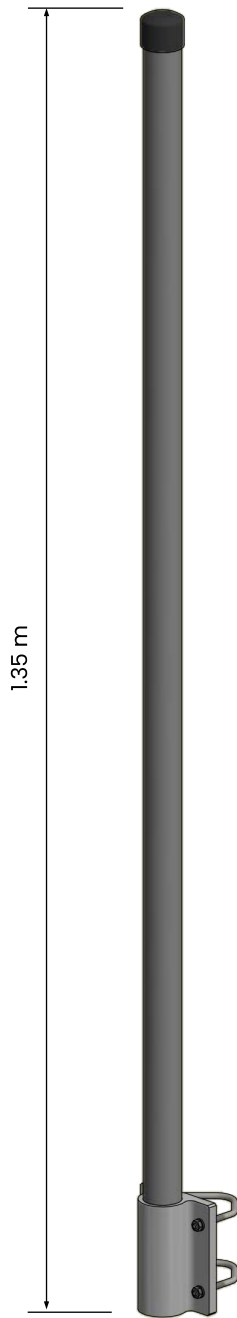


D
Mast Mount Bracket
Ø24 mm Spigot
Ø40 mm Spigot
Ø50 mm Spigot
Ø40 mm Socket
Ø50 mm Socket
Customer Specified



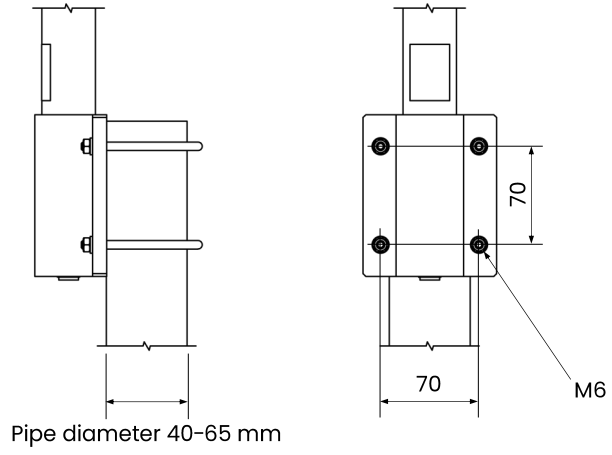
E
Pole/Rail Clamp Bracket
Pole diameters
up to 65 mm
0 or 90 degree mounting

Permanent Mount VHF108200M

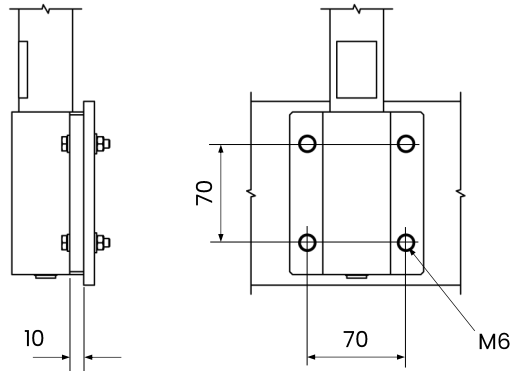


VHF108200M
(Permanent Mount)

Pole Mounting



Bulkhead/Wall Mounting



February 2021

All specifications are subject to change without notice
The information contained herein is for reference only and does not constitute a warranty of performance

Partnered Supplier



sales@eylex.com.au
www.eylex.com.au

