

## UHF243380S

UHF SatCom vehicle antenna (MUOS capable), RHCP,  
0.8 m, 243–380 MHz

### Tactical Antennas: Vehicle Mount



Shown mounted on NTS  
Dampened Spring Base  
(see page 2 for base options)

### Description

- UHF SATCOM 243–380 MHz covers:
  - MUOS 300–320/360–380 MHz
  - UFO Waveform 292–318/243–270 MHz
- Quadrifilar helix – ground plane independent
- Hemispherical coverage
- Good gain at low elevation
- Minimum VSWR losses
- Removable radiating element from base assembly
- L1 and L1/L2 GPS can be included with NTS Dampened Spring Base option (see page 2)

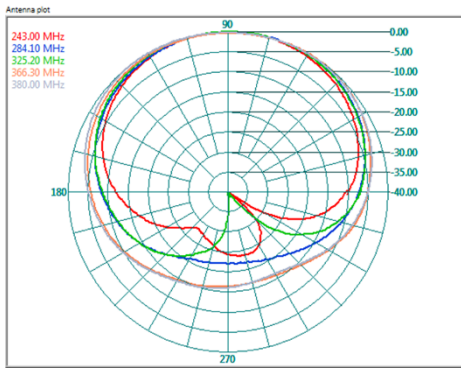
### Electrical Specifications

<b>Frequency Range</b>	243–380 MHz
<b>VSWR</b>	< 2:1
<b>Nominal Impedance</b>	50 ohm
<b>Power Rating</b>	60 W CW
<b>Gain</b>	4 dBi Nominal
<b>Radiation Pattern</b>	Azimuth: Omnidirectional $\pm 1.5$ dB Elevation: See plots
<b>Polarisation</b>	Right Hand Circular Polarization (RHCP)
<b>Connector</b>	N type female, others on request

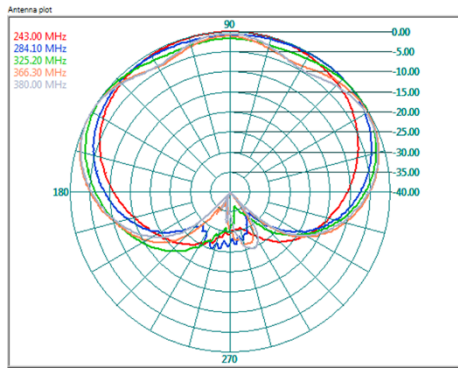
### Mechanical Specifications

<b>Design</b>	Helical radiating element fully enclosed in a GRP radome. See page 2 for base options.
<b>Height</b>	See page 2
<b>Weight</b>	Antenna Element 3.1 kg NTS Dampened Spring Base 2.75 kg NTR Rigid Base 0.9 kg Pole Mount Base 1.2 kg
<b>Wind Rating</b>	55 m/s = 201 kph
<b>Finish</b>	Polyurethane lacquer Standard colours: Green, Tan, Black, Grey
<b>Temperature Range</b>	- 55°C to + 71°C

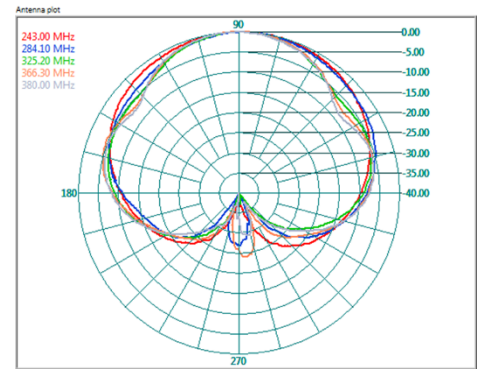
## Typical Elevation Patterns



No Ground plane



NTR Rigid Base mounted in the centre of 4ft x 4ft ground plane



NTS Spring Base mounted in the centre of a 4ft x 4ft ground plane

## Mounting Base Options



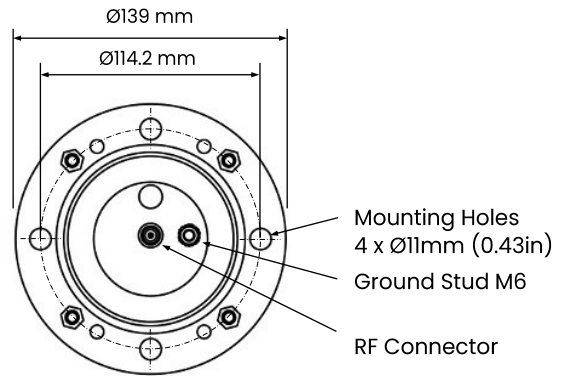
## GPS Electrical Specification (option)

(Not available with NTR Rigid Base or Pole Mount Bracket option)

	L1 GPS	L1/L2 GPS
<b>Frequency Band</b>	1575.42 ± 10 MHz	1227.60 ± 10 MHz 1575.42 ± 10 MHz
<b>Power Supply</b>	2.7-5.5 V @ < 60 mA, + centre	2.7-5.5 V @ < 60 mA, + centre
<b>Amplifier Gain</b>	25 dB, GPS	25 dB, GPS
<b>Pre-amplifier</b>	26.5 dB @ 5 V	26.5 dB @ 5 V
<b>Noise Figure</b>	2.5 dB	2.5 dB
<b>Polarisation</b>	RHCP	RHCP



Radiating element to base mounting thread (Comrod CEF type)

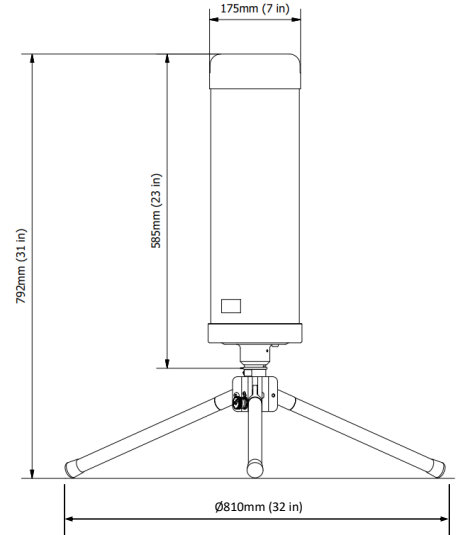


NATO 4-hole base mounting details

## UHF243380S-D

*Dismounted Option (see separate datasheet)*

- Uses the same radiating element as the vehicle version
- Folding tripod assembly for ground deployment
- Carrying case option

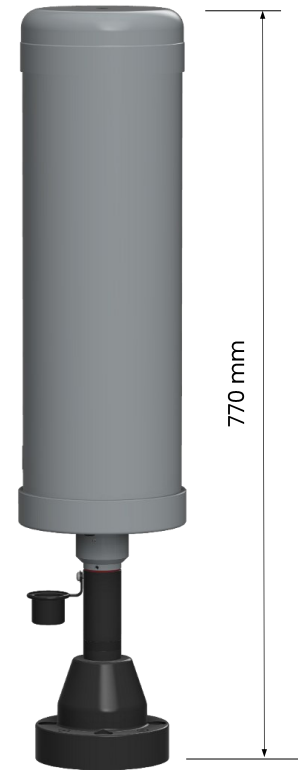


Comrod CEF connection to radiating element.  
N type female coaxial cable connection.

## UHF243380S

*Shipboard Shock Absorbing Base Option*

- Uses the same radiating element as the vehicle version
- Shock Absorbing Base designed for shipboard applications with high shock requirements.
- L1 and L1/L2 GPS can be included in the base.



NTSA Shock Absorbing Base

June 2021

All specifications are subject to change without notice  
The information contained herein is for reference only and does not constitute a warranty of performance

Partnered Supplier



sales@eylex.com.au  
www.eylex.com.au

