

Spring Damper Kit

For NTS spring bases, standard and tall, 7 mm and 8 mm
Tactical Antennas: Tactical and Base Station



Damper and securing top ring

Description

The spring damper kit is a retro-fit solution for reducing the spring movement of Comrod NTS spring bases.

- Reduces movement by dampening the spring
- Retro-fit for Comrod NTS spring bases
- Sizes available for standard and tall bases with 7 mm or 8 mm springs. See page 2 for details.

7LB Standard base, 7 mm spring

8LB Standard base, 8 mm spring

7HB Tall base, 7 mm spring

8HB Tall base, 8 mm spring

Mechanical Specifications

Dimensions	7 mm spring - 132 mm tall, Ø87 mm 8 mm spring - 150 mm tall, Ø87 mm
Weight	0.23 kg
Finish	Self colour and plated black
Temperature Range	- 55°C to + 71°C



Remove the screw securing top cap

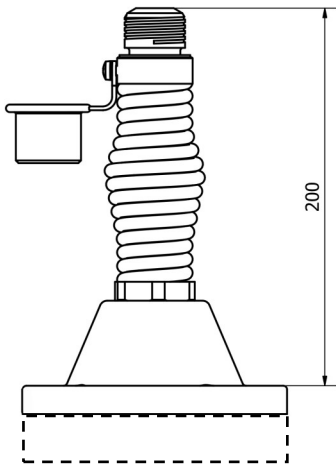


Fit damper over the spring and secure in place with top ring and screw

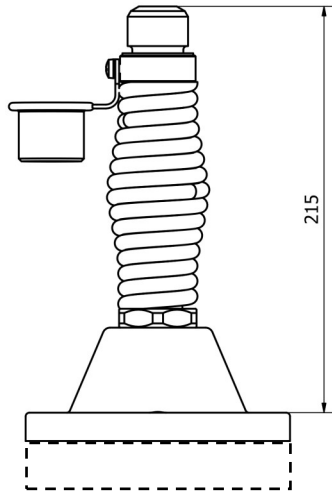


Re-attach top cap to the top ring using existing screw

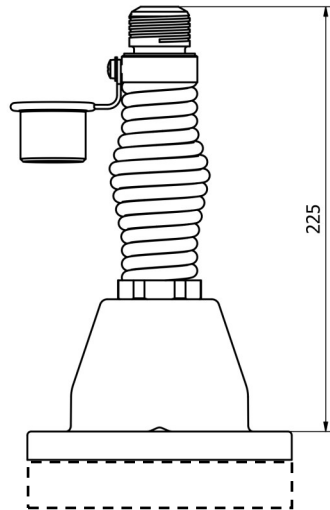
Base Identification



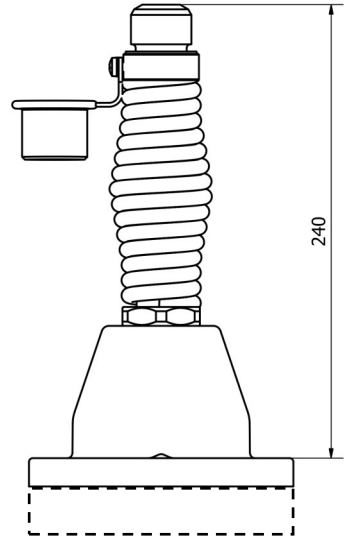
7LB
Standard base
7 mm spring



8LB
Standard base
8 mm spring



7HB
Tall base
7 mm spring



8HB
Tall base
8 mm spring

November 2021

All specifications are subject to change without notice
The information contained herein is for reference only and does not constitute a warranty of performance

Partnered Supplier



sales@eylex.com.au
www.eylex.com.au

