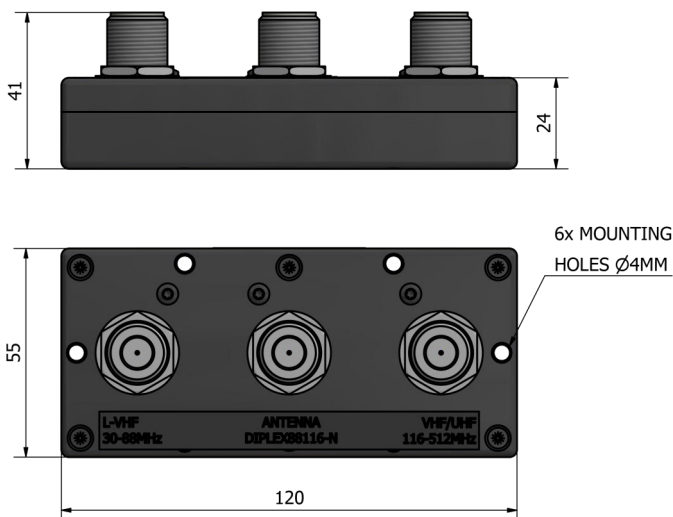


DIPLEX-88116-N

Diplexer, VHF/UHF, N Type, 30-88 MHz, 116-512 MHz
Control Systems, Couplers and Diplexers



Features

- Diplexer for combining two radios into one antenna
- 30-88 / 116-512 MHz
- Low loss

Electrical Specifications

Frequency Range	L-VHF: 30-88MHz VHF: 116-512MHz
VSWR	< 1.5
Nominal Impedance	50 Ohm
Power Rating	90 W CW
30-88 MHz	In band loss < -0.6 dBb Loss above 116 MHz > -23 dB
116-512 MHz	In band loss < -0.6 dB Loss below 88 MHz > -23 dB
Connectors	3 x N Type female

Mechanical Specifications

Design	Aluminium housing
Dimensions Housing	120 x 55 x 24 mm
Dimension Overall	120 x 55 x 41 mm
Weight	0.45 kg
Temperature Range	- 55°C to + 71°C

October 2020

All specifications are subject to change without notice
The information contained herein is for reference only and does not constitute a warranty of performance

Partnered Supplier



sales@eylex.com.au
www.eylex.com.au