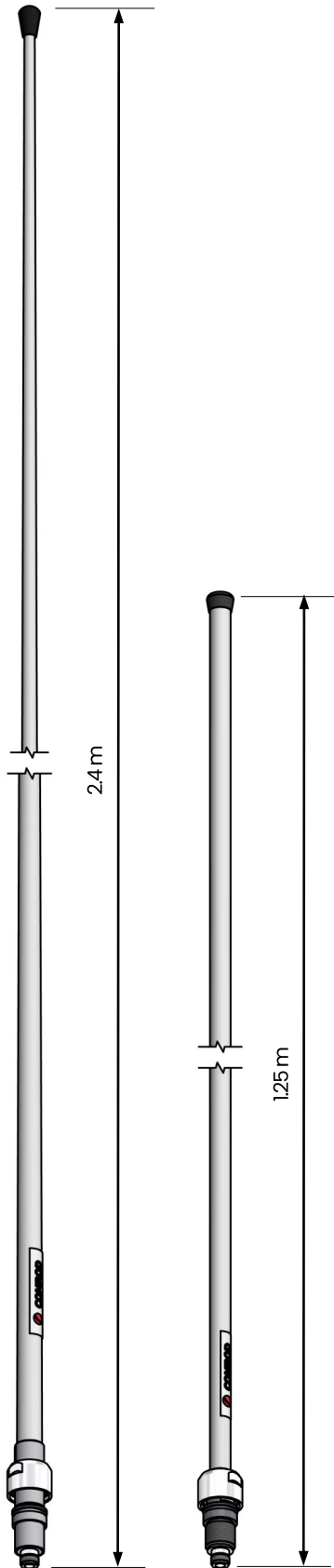


## AV2458P4 and AV2458P8

WLAN, 3 dBi, dual band, one piece whip, dipole, end feed,  
2.4-2.5 GHz, 4.9-5.8 GHz

### Commercial and Marine Antennas



AV2458P8

AV2458P4

### Application

AV2458P4 and AV2458P8 are dual band omnidirectional antennas for WLAN applications. The antenna is available in two lengths, 1.25 m and 2.4 m. The radiating element is located high in the whip to ensure it is clear of obstacles. It is a high quality antenna with a durable construction and a beautiful finish for installation on all kind of vessels.

### Electrical Specifications

<b>Frequency Range</b>	2.4 - 2.5 GHz 4.9 - 5.8 GHz
<b>VSWR</b>	1.7 nominal (2.2 maximum)
<b>Nominal Impedance</b>	50 $\Omega$
<b>Power Rating</b>	5 W
<b>Gain</b>	2.4 - 2.5 GHz 3 dBi nominal 4.9 - 5.8 GHz 1 dBi nominal
<b>Polarisation</b>	Vertical
<b>Connector</b>	N female

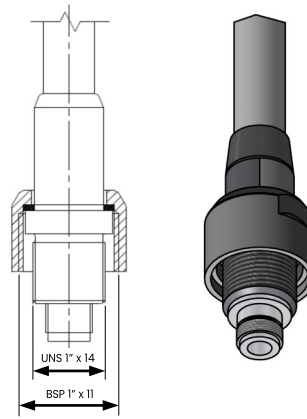
### Mechanical Specifications

<b>Design</b>	Dipole design. Radiating elements completely enclosed in polyurethane foam within a fibreglass tube.
<b>Height</b>	AV2458P4 - 1.25 m AV2458P8 - 2.4 m
<b>Weight</b>	AV2458P4 - 0.6 kg AV2458P8 - 0.9 kg
<b>Wind Rating</b>	55 m/s = 201 kph
<b>Finish</b>	Polyurethane lacquer, white
<b>Temperature Range</b>	- 40°C to + 50°C

## Mounting

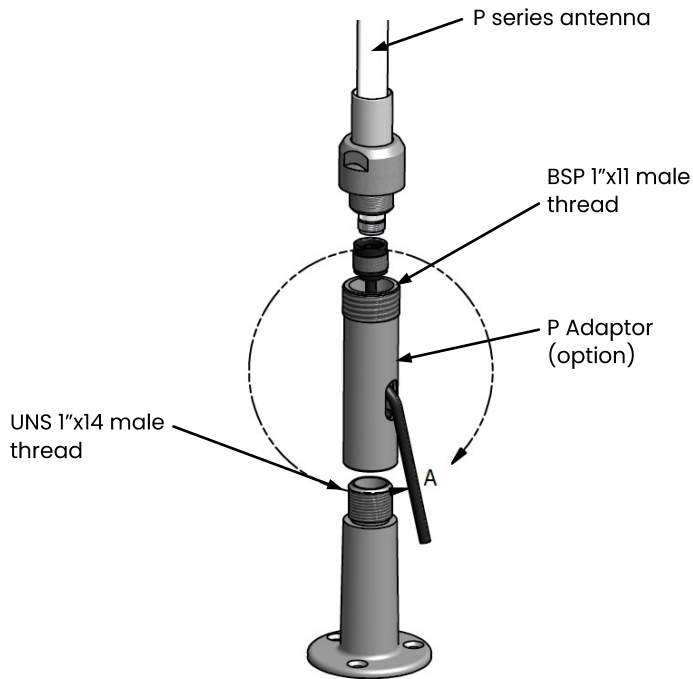
The AV2458P4 and AV2458P8 antennas are fitted with a UNS 1" x 14 male mounting thread and BSP 1" x 11 nut.

The antenna can be used with all standard mounting accessories.

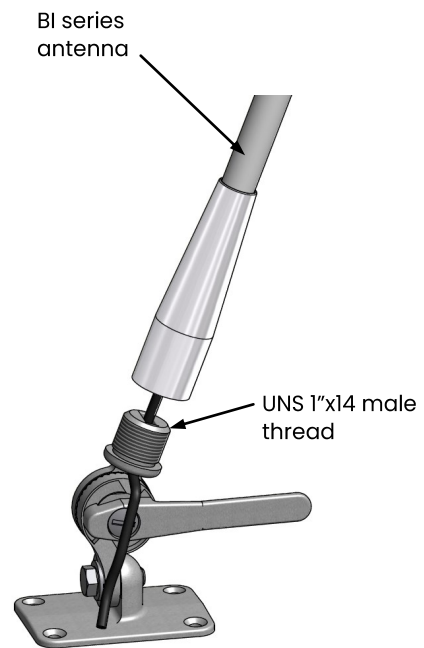


## Mounting Accessories

Comrod has a range of mounting brackets and adaptors for P series antennas.



Straight mount bracket  
(option)



4-Way Bracket  
(option)

September 2018

All specifications are subject to change without notice  
The information contained herein is for reference only and does not constitute a warranty of performance

Partnered Supplier



[sales@eylex.com.au](mailto:sales@eylex.com.au)  
[www.eylex.com.au](http://www.eylex.com.au)

