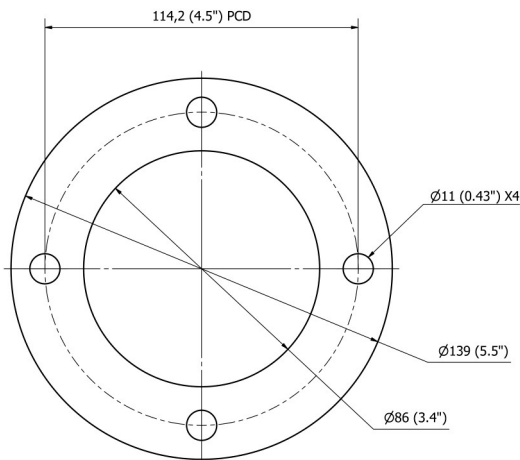


UHF397470LP

UHF low profile vehicle monopole, 397–470 MHz

Tactical Antennas: Vehicle Mount



Application

The UHF397470LP is a low profile monopole antenna covering the 397 to 470 MHz frequency range. It is intended to be used on all platforms including vehicles, shelters and masts.

The antenna has the standard NATO 4-hole mounting pattern.

Electrical Specifications

Frequency Range	397–470 MHz
VSWR	< 2.5
Impedance	50 Ω
Power Rating	50 W
Gain	2 dBi (nominal)
Radiation Pattern	Omnidirectional
Polarisation	Vertical
Connector	BNC female

Mechanical Specifications

Design	Monopole design. Radiating element completely enclosed in POM. Metal parts are brass and stainless steel.
Dimensions	140 mm tall 139 mm diameter base
Weight	0.4 kg
Wind Rating	55 m/s = 201 kph
Finish	Black
Temperature Range	- 55°C to + 71°C

April 2020

All specifications are subject to change without notice
The information contained herein is for reference only and does not constitute a warranty of performance

Partnered Supplier



sales@eylex.com.au
www.eylex.com.au