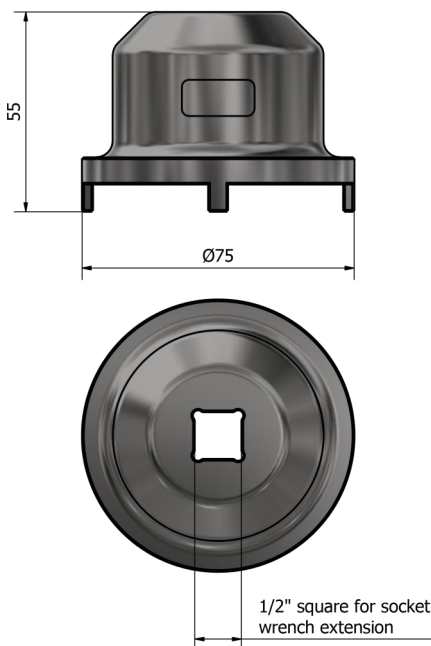


50mm Base Installation Tool

For all Comrod 50 mm vehicle/shelter bases
Tactical Antennas: Tactical and Base Station



NSN: 5120-25-162-7288

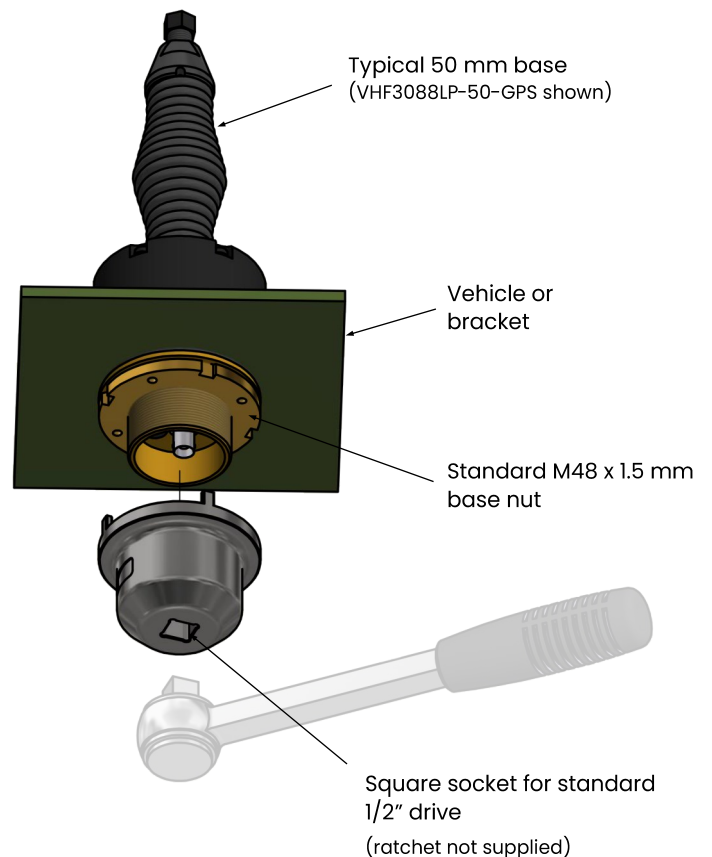


Description

Tool for tightening the M48 x 1.5 nut on standard Comrod 50 mm antenna bases. The tool is manufactured from stainless steel and has a standard 1/2" square drive socket.

Mechanical Specifications

Dimensions	Ø 75 x 55 mm
Weight	0.3 kg
Finish	Stainless steel



April 2020

All specifications are subject to change without notice
The information contained herein is for reference only and does not constitute a warranty of performance

Partnered Supplier



sales@eylex.com.au
www.eylex.com.au