

GPSLISA

GPS low-profile puck antenna, L1, 26 mm, 1575.42 ± 10 MHz

Tactical Antennas: Handheld and Manpack



Application

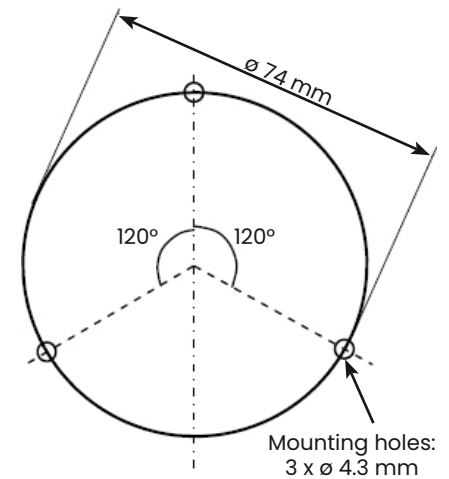
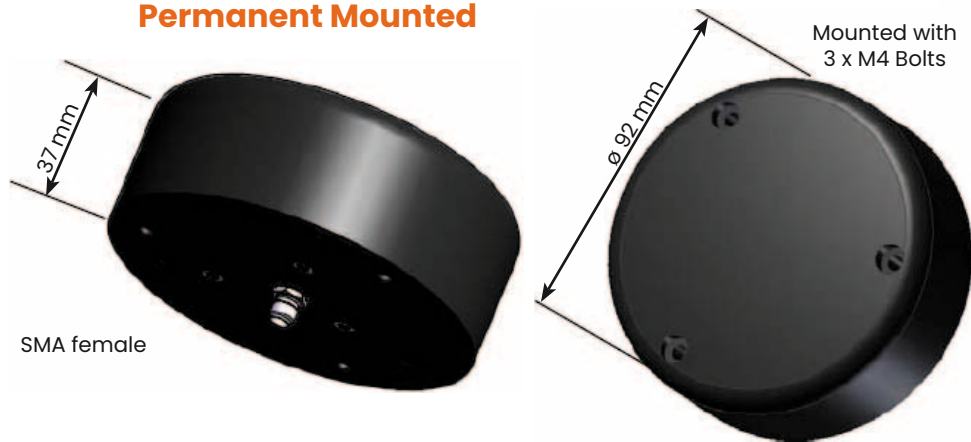
The GPSLISA is a Mil-Spec GPS active receiving antenna. This stand alone GPS antenna is available in three versions.

- A magnet mounted for quick and flexible mounting on all kinds of vehicle.
- A helmet mounted where the GPS element is fitted inside a pocket.
- A permanent mounted fixed with 3 screws.

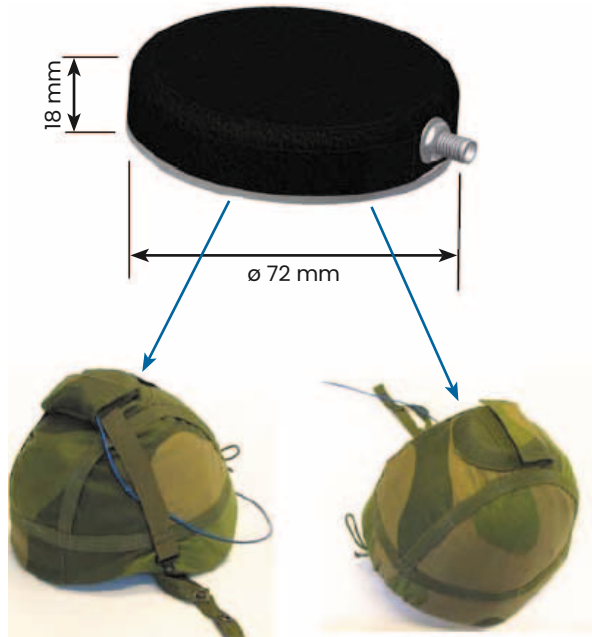
Magnet Mounted



Permanent Mounted



Helmet Mounted



Specifications

GPS Frequency Range	L1: 1575.42 ± 10 MHz
GPS Preamplifier Gain	26.5 dB
GPS Noise Figure	2.5 dB
GPS Supply Voltage	5.0 ± 0.5 V, through coaxial cable
GPS Supply Current	< 40 mA
Connector GPS	SMA female
Temperature Range	- 55°C to + 85°C
Mechanical Design	Puck made from POM plastic
Coaxial Cable	EF316D, robust version of RG316, is recommended. Cable length and connector configuration upon request.

September 2018

All specifications are subject to change without notice

The information contained herein is for reference only and does not constitute a warranty of performance

Partnered Supplier



sales@eylex.com.au

www.eylex.com.au