

UHF243380S

UHF SatCom vehicle antenna (MUOS capable), RHCP,
0.8 m, 243–380 MHz

Naval Antennas and Systems: Shipboard



Shown mounted on NTS
Dampened Spring Base
(see page 2 for base options)

Description

- UHF SATCOM 243–380 MHz covers:
 - MUOS 300–320/360–380 MHz
 - UFO Waveform 292–318/243–270 MHz
- Quadrifilar helix – ground plane independent
- Hemispherical coverage
- Good gain at low elevation
- Minimum VSWR losses
- Removable radiating element from base assembly
- L1 and L1/L2 GPS can be included with NTS Dampened Spring Base option (see page 2)

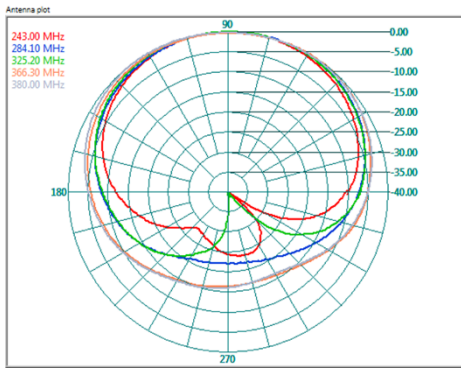
Electrical Specifications

Frequency Range	243–380 MHz
VSWR	< 2:1
Nominal Impedance	50 ohm
Power Rating	60 W CW
Gain	4 dBi Nominal
Radiation Pattern	Azimuth: Omnidirectional ± 1.5 dB Elevation: See plots
Polarisation	Right Hand Circular Polarization (RHCP)
Connector	N type female, others on request

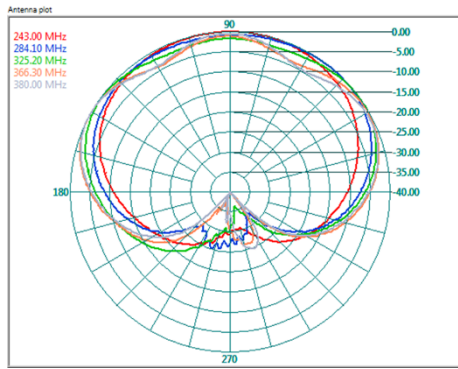
Mechanical Specifications

Design	Helical radiating element fully enclosed in a GRP radome. See page 2 for base options.
Height	See page 2
Weight	Antenna Element 3.1 kg NTS Dampened Spring Base 2.75 kg NTR Rigid Base 0.9 kg Pole Mount Base 1.2 kg
Wind Rating	55 m/s = 201 kph
Finish	Polyurethane lacquer Standard colours: Green, Tan, Black, Grey
Temperature Range	- 55°C to + 71°C

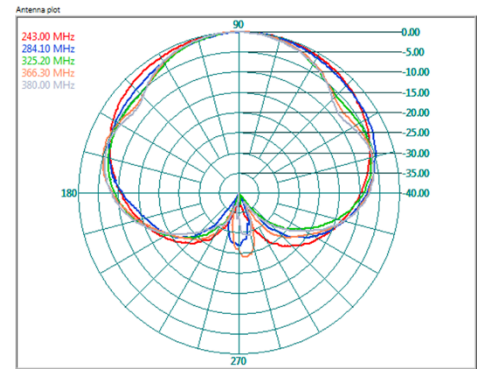
Typical Elevation Patterns



No Ground plane



NTR Rigid Base mounted in the centre of
4ft x 4ft ground plane



NTS Spring Base mounted in the centre of
a 4ft x 4ft ground plane

Mounting Base Options



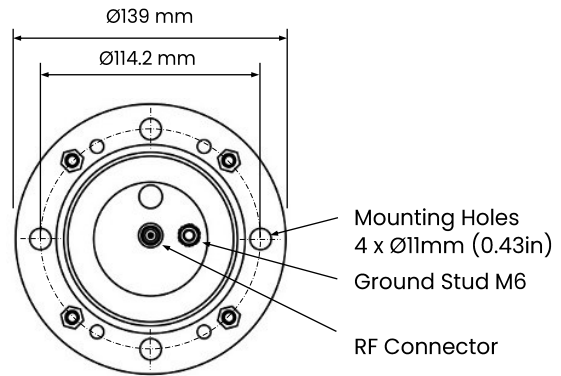
GPS Electrical Specification (option)

(Not available with NTR Rigid Base or Pole Mount Bracket option)

	L1 GPS	L1/L2 GPS
Frequency Band	1575.42 ± 10 MHz	1227.60 ± 10 MHz 1575.42 ± 10 MHz
Power Supply	2.7-5.5 V @ < 60 mA, + centre	2.7-5.5 V @ < 60 mA, + centre
Amplifier Gain	25 dB, GPS	25 dB, GPS
Pre-amplifier	26.5 dB @ 5 V	26.5 dB @ 5 V
Noise Figure	2.5 dB	2.5 dB
Polarisation	RHCP	RHCP



Radiating element to base mounting thread (Comrod CEF type)

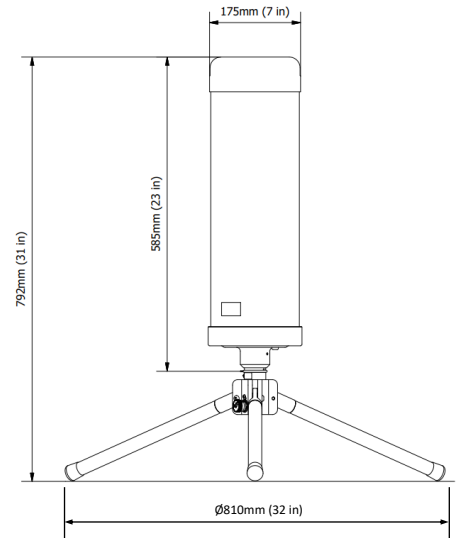


NATO 4-hole base mounting details

UHF243380S-D

Dismounted Option (see separate datasheet)

- Uses the same radiating element as the vehicle version
- Folding tripod assembly for ground deployment
- Carrying case option

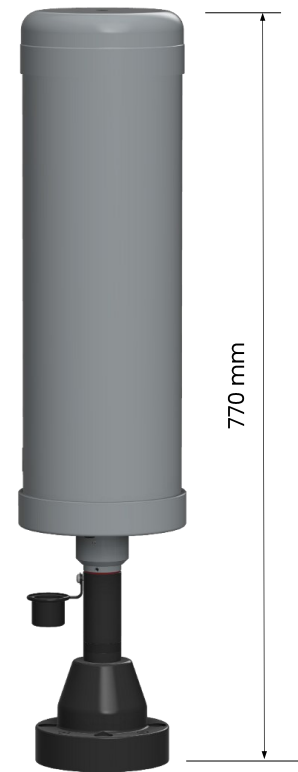


Comrod CEF connection to radiating element.
N type female coaxial cable connection.

UHF243380S

Shipboard Shock Absorbing Base Option

- Uses the same radiating element as the vehicle version
- Shock Absorbing Base designed for shipboard applications with high shock requirements.
- L1 and L1/L2 GPS can be included in the base.



NTSA Shock Absorbing Base

June 2021

All specifications are subject to change without notice
The information contained herein is for reference only and does not constitute a warranty of performance

Partnered Supplier



sales@eylex.com.au
www.eylex.com.au

