

Splitter-GPS-4

Splitter, GPS, 4-way, 1150-1650 MHz
Control Systems, Couplers and Diplexers



Features

4-way GPS splitter for all GPS systems in the 1150-1650 MHz frequency band.

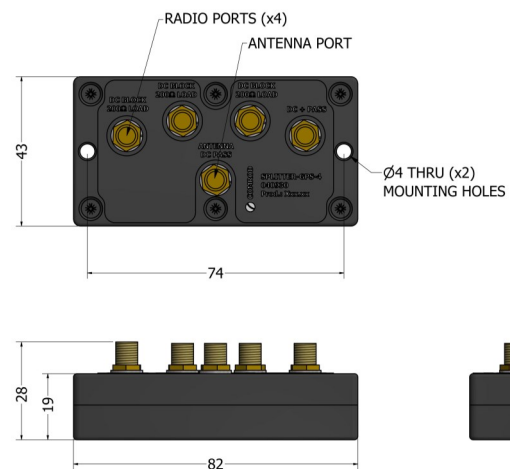
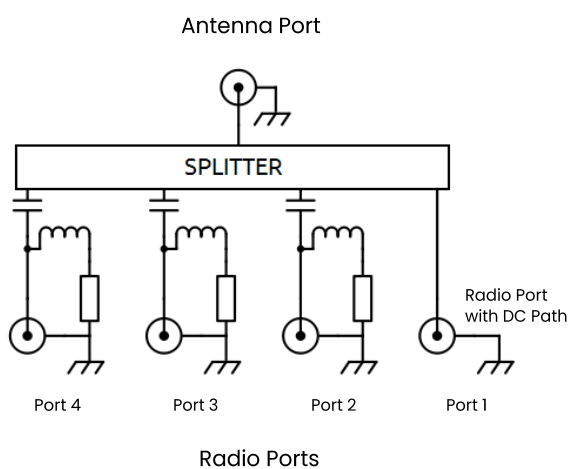
- GPS, Galileo, GLONASS, Beidou
- 1 antenna port, 4 radio ports
- Radio port 1 contains a DC path for power to the GPS antenna
- Radio ports 2, 3 and 4 contain a DC dummy load to simulate a connected antenna
- Splitter has an internal network to reduce the imbalance of ports when not terminated with a radio. Splitter can be used with 1, 2, 3 or 4 radios

Electrical Specifications

Frequency	1150-1650 MHz
Impedance	50 Ω (unbalanced)
VSWR (Port 1 to ports 2, 3, 4, 5)	< 1.5:1
Power	0.25 W
Isolation between radio ports (ports terminated)	1150-1650 MHz > 15 dB 1200-1600 MHz > 20 dB
Connectors	SMA female
Attenuation (ports terminated)	< 7.5 dB
Attenuation (ports unterminated)	< 9.5 dB

Mechanical Specifications

Design	Aluminium housing
Dimensions - Housing	82 x 43 x 19 mm
Dimensions - Overall	82 x 43 x 28 mm
Weight	150 g
Temperature	- 55°C to + 71°C



September 2019

All specifications are subject to change without notice
The information contained herein is for reference only and does not constitute a warranty of performance

Partnered Supplier



sales@eylex.com.au
www.eylex.com.au