

NTS-WLAN

VHF/UHF/L-Band 4-hole vehicle base with WLAN, 0.24 m,
2400-2500 MHz

Tactical Antennas: Tactical and Base Station



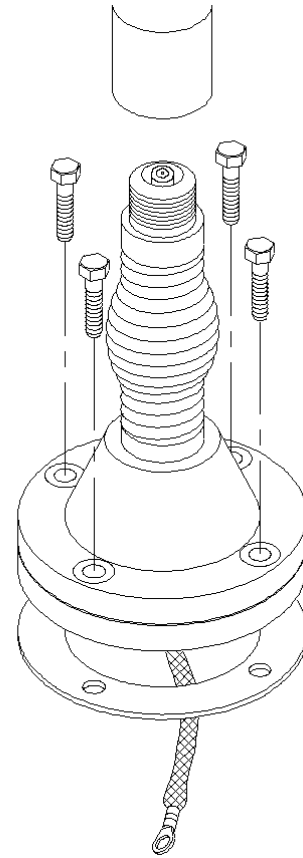
Application

The NTS-WLAN is a base with a built in WLAN antenna element.
There are two antenna connections available for matching
the different antenna interfaces:

- VM-connection
- CEF-connection

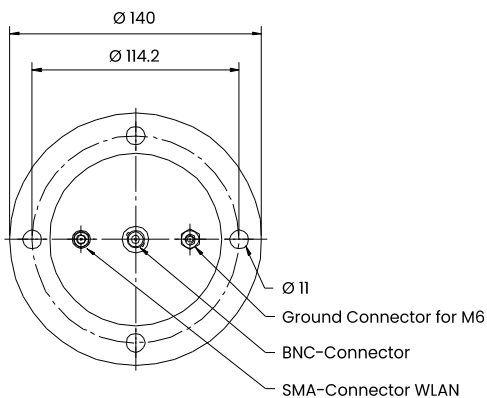
Specifications

Impedance	50 Ω for both VM and CEF connection
WiFi Frequency Range	2400-2500 MHz
WiFi Gain	- 1 dBi
WiFi VSWR	< 2.2 50 Ω
Connector VHF	BNC female or other on request
WiFi	SMA female
Temperature Range	-55°C to + 85°C
Mechanical Design	Spring base made from stainless steel, brass, aluminium and GRP
Height Base	240 mm
Weight	2.4 kg



Mounting

Standard 4 hole NATO flange, with conducting
gasket or strap for grounding.



Electrical Specifications for VM Connection

Frequency Range	0 - 450 MHz
Antenna Connection	VM connection
Nominal Impedance	50 Ω
Power Rating	400 W CW



Electrical Specifications for CEF Connection

Frequency Range	0 - 2 GHz
Antenna Connection	CEF connection
Nominal Impedance	50 Ω
Power Rating	400 W CW



September 2018

All specifications are subject to change without notice
The information contained herein is for reference only and does not constitute a warranty of performance

Partnered Supplier



sales@eylex.com.au
www.eylex.com.au