

## GPSLISA

GPS low profile puck antenna, L1, 26mm, 1575.42 ± 10 MHz

### Tactical Antennas: Tactical and Base Station



## Application

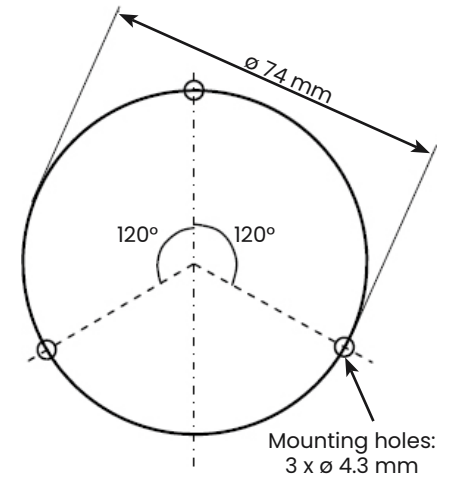
The GPSLISA is a Mil-Spec GPS active receiving antenna. This stand alone GPS antenna is available in three versions.

- A magnet mounted for quick and flexible mounting on all kinds of vehicles.
- A helmet mounted where the GPS element is fitted inside a pocket.
- A permanent mounted fixed with 3 screws.

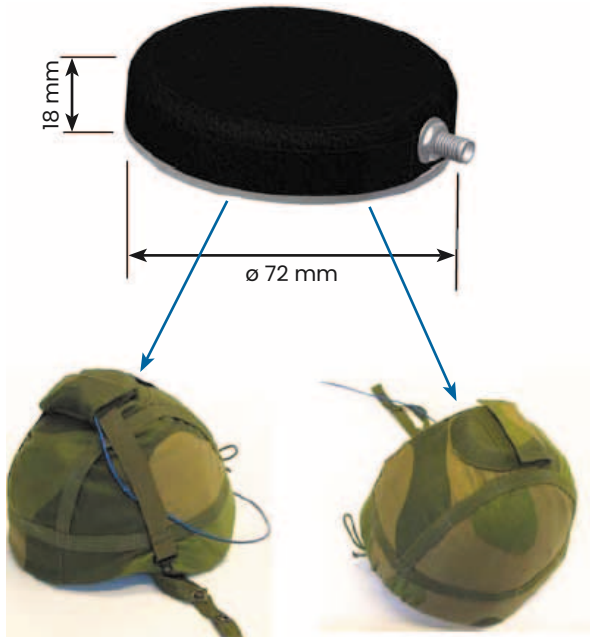
### Magnet Mounted



### Permanent Mounted



### Helmet Mounted



## Specifications

<b>GPS Frequency Range</b>	L1: 1575.42 ± 10 MHz
<b>GPS Preamplifier Gain</b>	26.5 dB
<b>GPS Noise Figure</b>	2.5 dB
<b>GPS Supply Voltage</b>	5.0 ± 0.5 V, through coaxial cable
<b>GPS Supply Current</b>	< 40 mA
<b>Connector GPS</b>	SMA female
<b>Temperature Range</b>	- 55°C to + 85°C
<b>Mechanical Design</b>	Puck made from POM plastic
<b>Coaxial Cable</b>	EF316D, robust version of RG316, is recommended. Cable length and connector configuration upon request.

September 2018

All specifications are subject to change without notice

The information contained herein is for reference only and does not constitute a warranty of performance

Partnered Supplier



sales@eylex.com.au

www.eylex.com.au