

# Dipole Antenna Mounts

Vehicle, Shelter and Mast Mounts

**Tactical Antennas: Tactical and Base Station**



## Description

Comrod produces a large range of dipole antennas suitable for mounting on vehicles, shelters and elevating on masts. Dipole antennas do not require a ground plane so are particularly suited to elevating on a support mast. To enable deployment across all tactical and fixed platforms, Comrod has a large range of antenna bases and mounting adaptors.

## Antenna Element to Base Connector

Comrod dipole antennas are supplied with either a Comrod VM or CEF type connection between the antenna element and base/mounting (see Fig 3). The connection shares the same size mounting thread but has a different internal RF contact. Antennas with an upper frequency of around 450MHz use the VM connector shown in Fig 1a/b. Antennas with an upper frequency above 450MHz use the CEF type connector shown in Fig 2a/b. Both of these connectors are proprietary to Comrod.

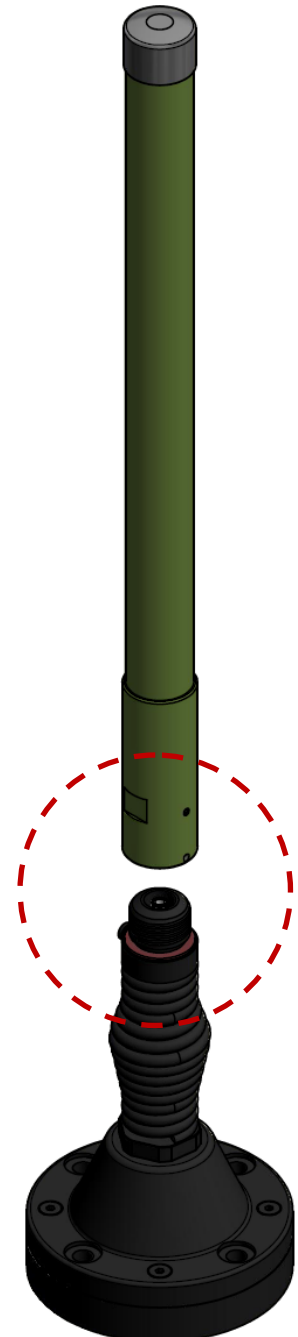
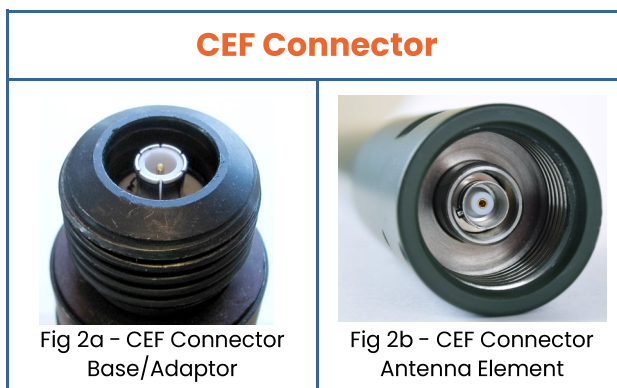
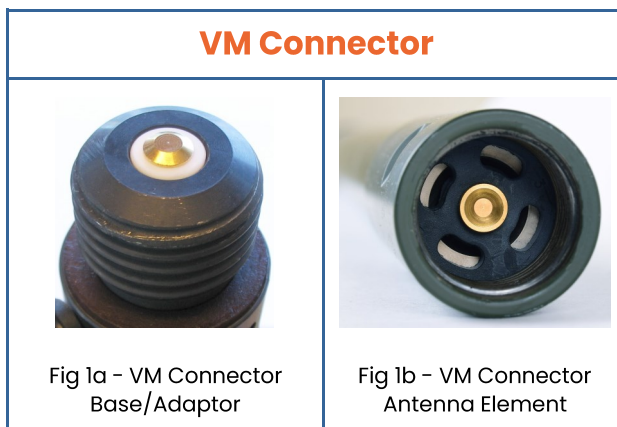


Fig 3 - Antenna to base connection

## Vehicle and Shelter Bases (VM Connector)



Bases VM-A, VM-B, VM-C and VM-D are also available with optional NATO 6-hole pattern - 6 x M6 or 1/4" Bolts on 111 mm PCD



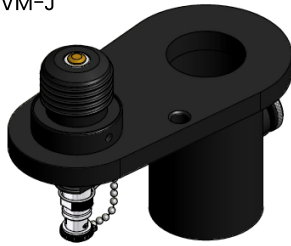
## Mounting Adaptors (VM Connector)

VM-H



General Purpose Bulkhead Adaptor  
Mounting hole diameter 22 mm

VM-J



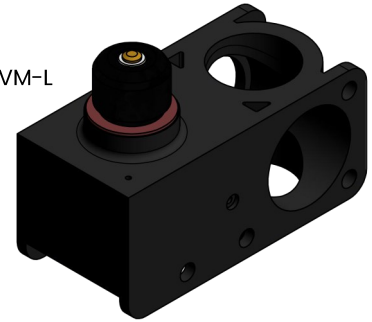
Mast Mount Bracket  
40 mm Socket  
42 mm Socket  
50 mm Socket  
Comrod AMX85 Mast  
Comrod ULM48 Mast  
Customer Specified

VM-K



Mast Mount Bracket  
24 mm Spigot  
40 mm Spigot  
50 mm Spigot  
Customer Specified

VM-L



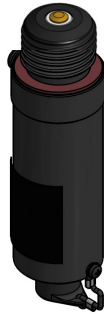
AMX85 Mast Mount Bracket  
To fit Comrod AMX85 mast sections

VM-M



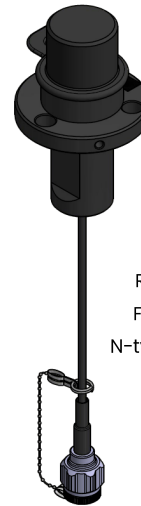
Pole Mount Adaptor  
Pole diameter 14-62 mm  
Vertical or horizontal mount  
N-type female bottom connector

VM-N



Tube Clamp Adaptor  
Clamp area diameter 38 mm  
Clamp area length 80 mm  
N-type female bottom connector

VM-P



RolaTube Mast Antenna VM Adaptors  
Fits standard RolaTube 30 mm socket  
N-type female or male connector versions

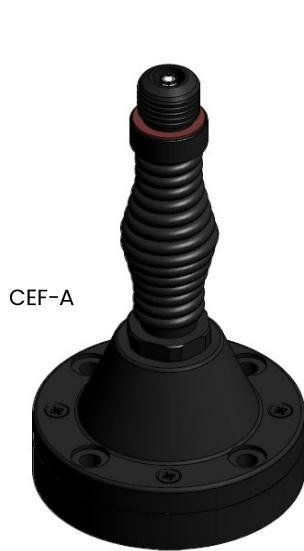
## Comrod Dipole Antennas with VM Connector

The following table shows a small selection of Comrod dipole antenna elements suitable for use with the VM bases and mounting adaptors.

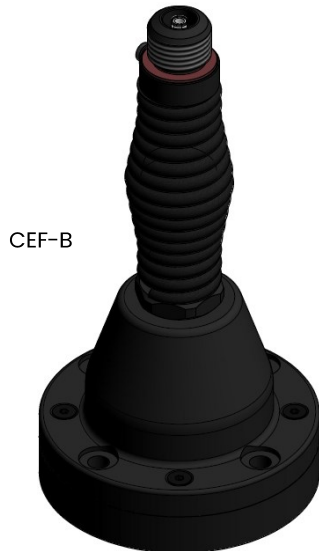
Comrod also produces a range multiband antennas which can be a combination of dipole and monopole construction. The monopole part of these antennas will require a groundplane to operate correctly. Most of the vehicle and shelter bases can be used if mounted on a suitable groundplane. Comrod has a range of mounting solutions to elevate monopole and combined monopole/dipole antennas using a groundplane tripod or groundplane guy wires.

Antenna	Description	Connection
VHF3088VM	30-88 MHz	VM
VHF30108VM	30-108 MHz	VM
VHF108185VM	108-185 MHz	VM
UHF225450VM-HG	225-450 MHz	VM
UHF225512VM-HG	225-512 MHz	VM

## Vehicle and Shelter Bases (CEF Connector)



NATO 4-hole Spring  
4 x M10 or 3/8" Bolts  
on 114 mm PCD  
Base diameter 140 mm  
Base height 240 mm



NATO 4-hole Spring GPS  
4 x M10 or 3/8" Bolts  
on 114 mm PCD  
Base diameter 140 mm  
Base height 280 mm



NATO 4-hole Rigid  
4 x M10 or 3/8" Bolts  
on 114 mm PCD  
Base diameter 140 mm  
Base height 100 mm



NATO 4-hole Rigid  
4 x M10 or 3/8" Bolts  
on 114 mm PCD  
Base diameter 140 mm  
Base height 125 mm

Bases CEF-A, CEF-B, CEF-C and CEF-D are also available with optional NATO 6-hole pattern - 6 x M6 or 1/4" Bolts on 111 mm PCD



NATO  
50mm Thread  
Base diameter 95 mm

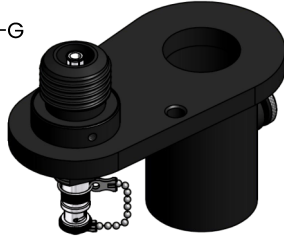
## Mounting Adaptors (CEF Connector)

CEF-F



General Purpose Bulkhead Adaptor  
Mounting hole diameter 22 mm

CEF-G



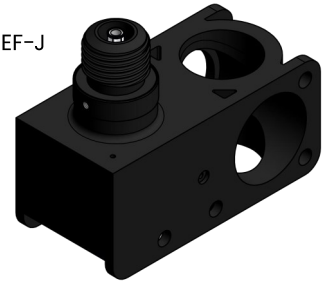
Mast Mount Brackets  
40 mm Socket  
42 mm Socket  
50 mm Socket  
Comrod AMX85 Mast  
Comrod ULM48 Mast  
Customer Specified

CEF-H



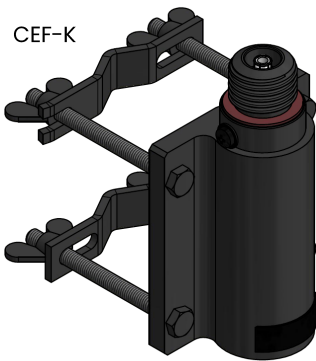
Mast Mount Bracket  
24 mm Spigot  
40 mm Spigot  
50 mm Spigot  
Customer Specified

CEF-J



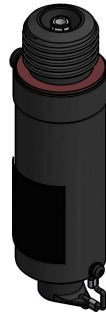
AMX85 Mast Mount Bracket  
To fit Comrod AMX85 mast sections

CEF-K



Pole Mount Adaptor  
Pole diameter 14-62 mm  
Vertical or horizontal mount  
N-type female bottom connector

CEF-L



Tube Clamp Adaptor  
Clamp area diameter 38 mm  
Clamp area length 80 mm  
N-type female bottom connector

CEF-M



RolaTube Mast CEF Antenna Adaptors  
Fits standard RolaTube 30 mm socket  
N-type female or male connector versions

## Comrod Dipole Antennas with CEF Connector

The following table shows a small selection of Comrod dipole antenna elements suitable for use with the CEF bases and mounting adaptors.

Comrod also produces a range multiband antennas which can be a combination of dipole and monopole construction. The monopole part of these antennas will require a groundplane to operate correctly. Most of the vehicle and shelter bases can be used if mounted on a suitable groundplane. Comrod has a range of mounting solutions to elevate monopole and combined monopole/dipole antennas using a groundplane tripod or groundplane guy wires.

Antenna	Description	Connection
VHF100512VM	100-512 MHz	CEF
UHF400512VM	400-700 MHz	CEF
UHF2252000DB	225-450, 1200-2000 MHz	CEF
UHF2252000VM	225-2000 MHz	CEF
UHF630VM	600-3000 MHz	CEF
UHF720VM-HG	700-2000 MHz	CEF
UHF727VM-DB-HG	690-960, 1700-2700 MHz	CEF
UHF727VM	700-2700 MHz	CEF
UHF710VM-HG	700-1000 MHz	CEF
UHF1227VM	1200-2700 MHz	CEF
UHF2450VM-8	2400-2500 MHz	CEF
UHF243380S	243-380 MHz	CEF

---

All specifications are subject to change without notice  
The information contained herein is for reference only and does not constitute a warranty of performance

Partnered Supplier



[sales@eylex.com.au](mailto:sales@eylex.com.au)  
[www.eylex.com.au](http://www.eylex.com.au)

