

## Bracket 4-Hole

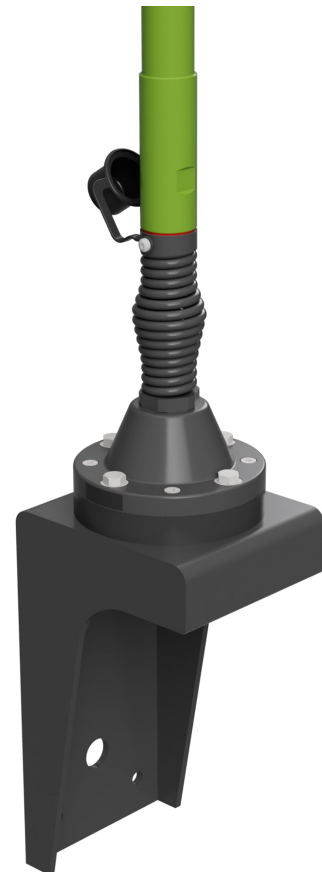
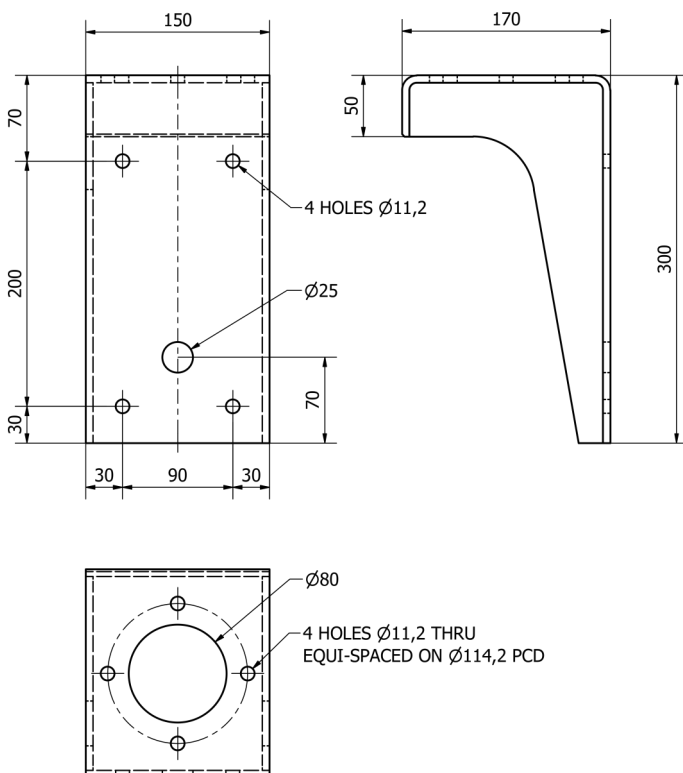
NATO 4-hole pattern for vehicles or shelters  
**Tactical Antennas: Tactical and Base Station**



### Technical Description

4-hole bracket for mounting NATO standard 4-hole pattern bases onto the side of a vehicle or shelter.

- Aluminium fabricated bracket, plated and painted
- Standard NATO 4-hole pattern (see drawing)
- Suitable for M10 or 3/8" mounting bolts (not supplied)
- 80mm clearance hole for base connector access
- Mounting bolt kits available on request
- Weight 1.6 kg



Typical installation shown with Comrod VHF302600TB antenna

August 2019

All specifications are subject to change without notice  
The information contained herein is for reference only and does not constitute a warranty of performance

Partnered Supplier



sales@eylex.com.au  
www.eylex.com.au