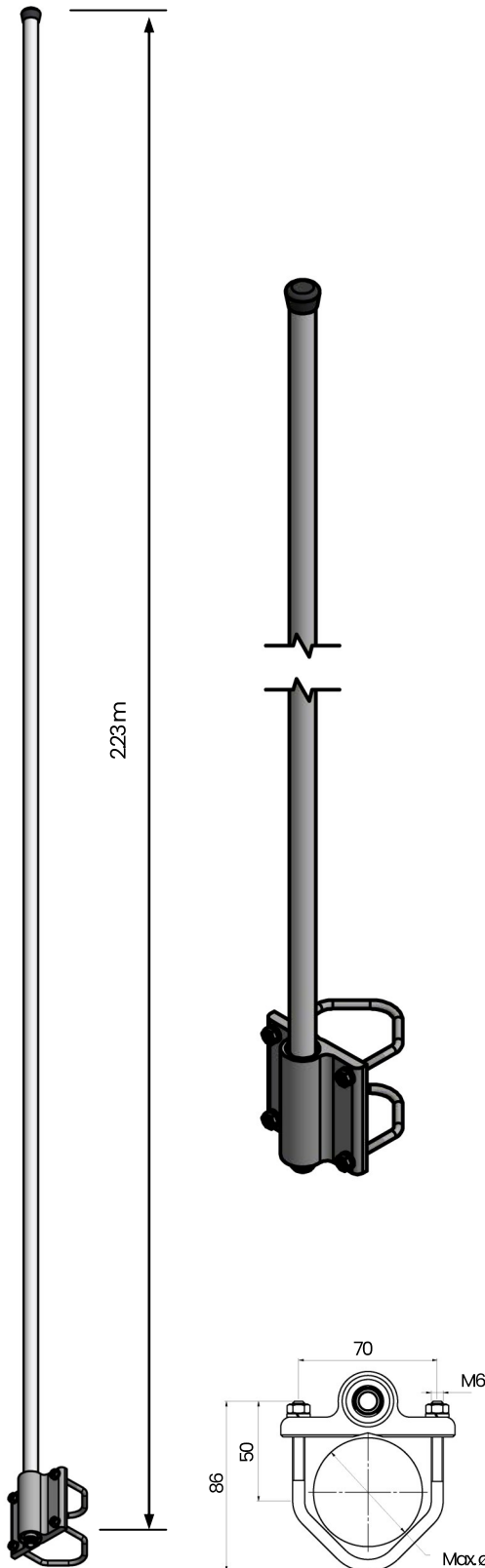


AV67M8

VHF, 4 dBi, one piece, dipole, end fed, mast mount, 144-174 MHz, 2.23 m
Commercial and Marine Antennas



Application

AV67M8 is a high quality dipole antenna designed for marine VHF. It is a high quality antenna with a durable construction and a beautiful finish for installation on all kinds of vessels. The base also makes it easy to install on buildings.

Electrical Specifications

Frequency Range	144-174 MHz
VSWR	< 2.5
Nominal Impedance	50 Ω
Power Rating	25 W
Gain	4 dBi
Polarisation	Vertical
Connector	N female

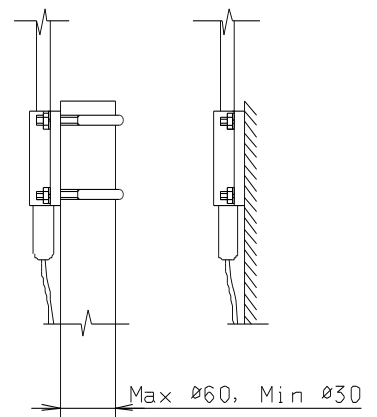
Mechanical Specifications

Design	Centre fed coaxial dipole. Radiating element completely enclosed in polyurethane foam within a fibreglass tube. Mounting bracket in aluminium.
Height	2.23 m
Weight	1.4 kg
Wind Rating	55 m/s = 201 kph
Finish	Polyurethane lacquer, white
Temperature Range	- 40°C to + 50°C

Mounting

AV67M8 is easily mounted to the bulkhead by means of 4 holes in the aluminum bracket, or to a mast or tube with U-bolts. The tube may be horizontal or vertical. The U-bolts in stainless steel, are included.

Suitable cable: RG58, RG213 or similar.



September 2019

All specifications are subject to change without notice
The information contained herein is for reference only and does not constitute a warranty of performance

Partnered Supplier



sales@eylex.com.au
www.eylex.com.au