

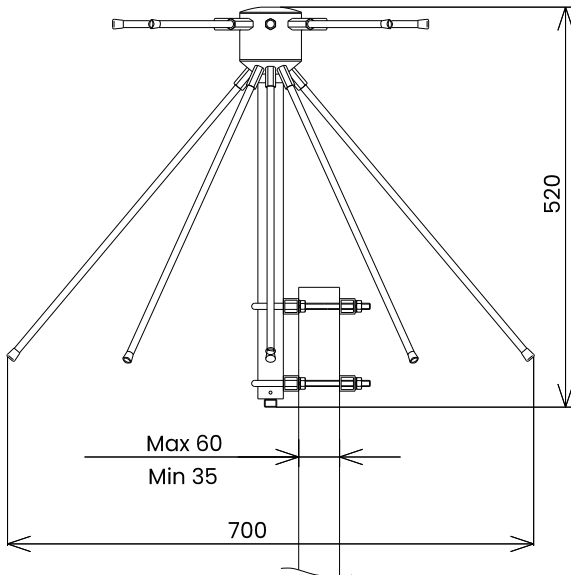
## AV23

VHF/UHF discone antenna, dipole, 0.52 m, 200–400 MHz

### Naval Antennas and Systems: Shipboard



NSN: 5985-25-143-2777



### Application

AV23 is primarily designed for ground to air communications. Having omnidirectional, broadband characteristics it is well suited as a base station antenna.

Also available in high powered versions.

### Electrical Specifications

<b>Frequency Range</b>	200 - 400 MHz
<b>Characteristic Impedance</b>	50 $\Omega$
<b>Maximum Power</b>	300 W
<b>Polarisation</b>	Linear - vertical omnidirectional
<b>Radiating Pattern</b>	Azimuth: Omnidirectional
<b>Gain</b>	2 dBi
<b>VSWR</b>	< 1.75

### Mechanical Specifications

<b>Design</b>	Conductor completely enclosed in high quality epoxy/fibreglass laminate. Metal parts are brass, elzinc plated and chromated.
<b>Finish</b>	Polyurethane lacquer, olive drab
<b>Temperature Range</b>	- 55°C to + 55°C

September 2018

All specifications are subject to change without notice  
The information contained herein is for reference only and does not constitute a warranty of performance

Partnered Supplier



sales@eylex.com.au  
www.eylex.com.au