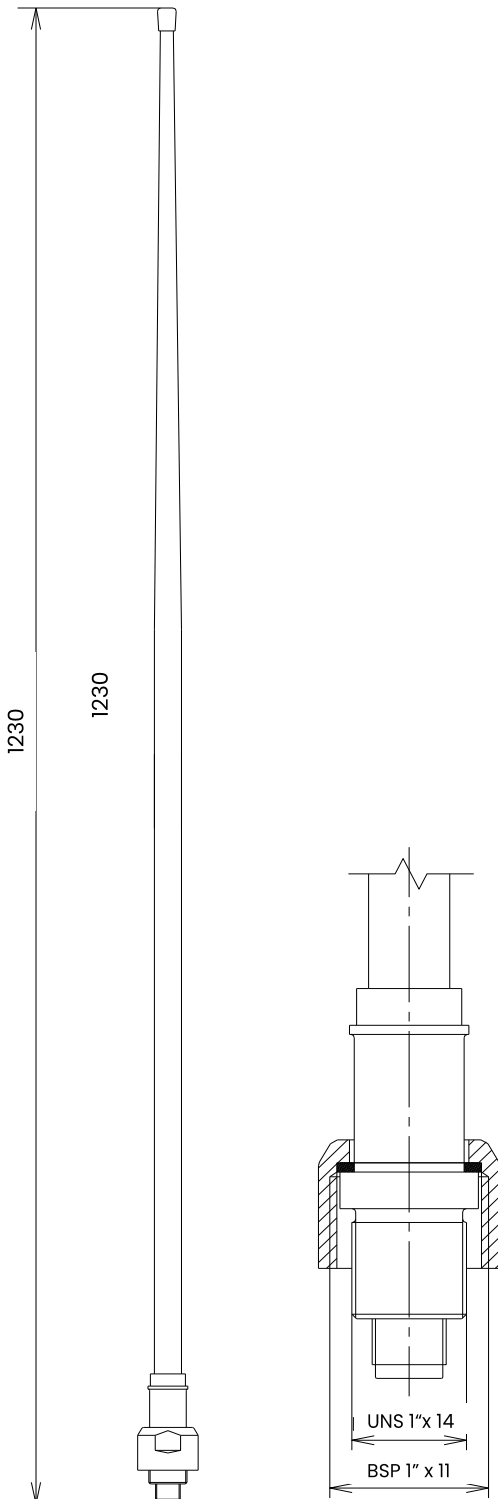


AV15

VHF, 2 dBi, one piece whip, dipole, end feed, P thread mount, 1.23 m, 144-165 MHz

Commercial and Marine Antennas



Application

The AV15 is a high quality dipole antenna designed for the marine VHF radio telephone service and may be installed on all kinds of vessels, from pleasure crafts to ocean liners.

It does not require a ground plane.

Electrical Specifications

Frequency Range	155-162 MHz, VSWR < 1.5 : 1 144-165 MHz, VSWR < 2 : 1
Nominal Impedance	50 Ω
Power Rating	100 W
Gain	2 dBi
Pattern	Horizontal plane: Omnidirectional Vertical plane: See reverse side
Polarisation	Vertical
Connector	UHF female
DC Grounded	Yes

Mechanical Specifications

Design	Centre fed coaxial dipole. Radiating elements completely enclosed in polyurethane foam within a fibreglass tube.
Height	1.23 m
Weight	0.5 kg
Wind Rating	55 m/s = 201 km/h
Finish	Polyurethane lacquer, white
Temperature Range	- 55°C to + 55°C
Water Proofing	IP67

Mounting

The AV15 is fitted with UNS1"x14 male ferrules and BSP1" x 11 nut.

Adaptor for UNS1"x14 female ferrules is available (see reverse page).

Can be used with all standard mounting accessories.

Instead of using the adaptor, the antenna can be mounted at a pipe with BSP1" x 11 male threads.

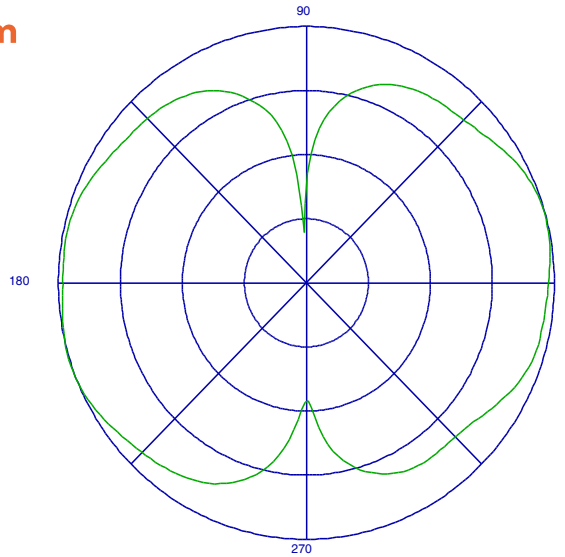
Suitable cable: RG58, RG213 or similar.

BSP : British Standard Pipe

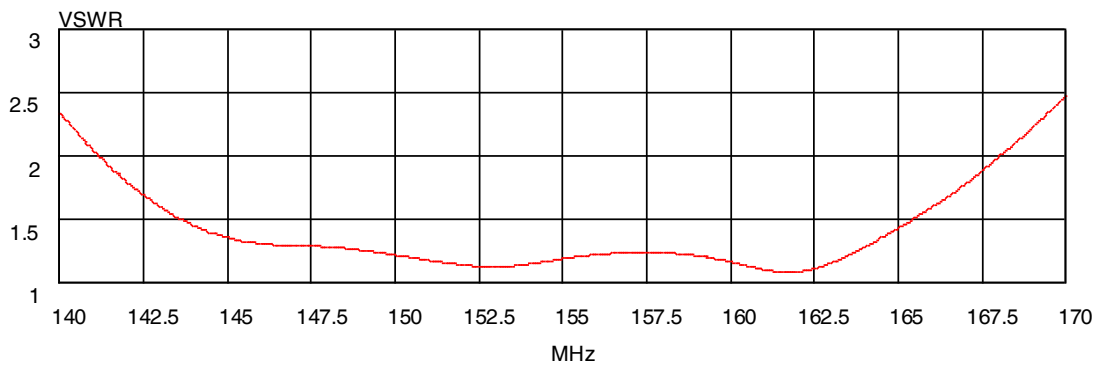
UNS: Unifield Special

Vertical Radiation Diagram

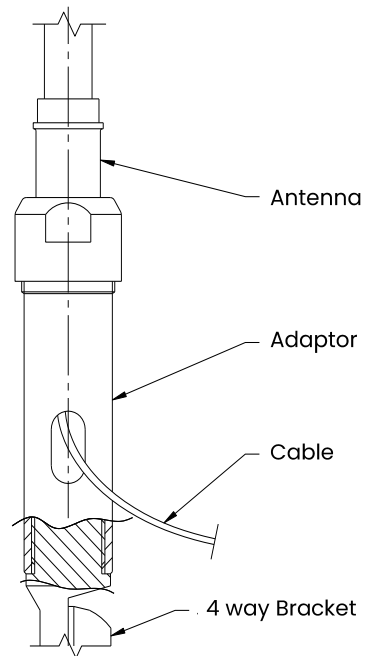
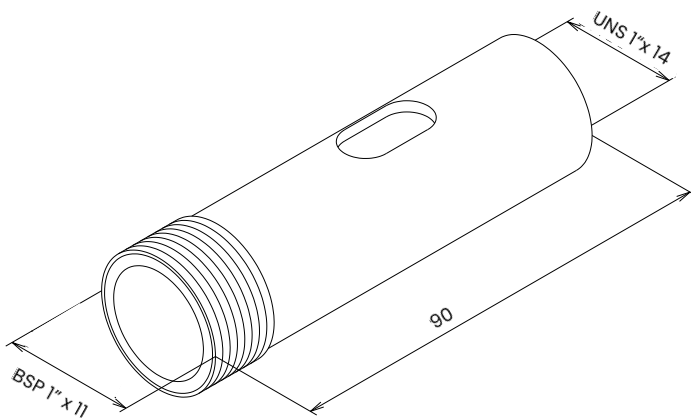
f= 160 MHz
40 dB dynamic range, 10 dB/div



Standing Wave Ratio



Supplement: (optional extra)
Adaptor for 4 way bracket.



September 2018

All specifications are subject to change without notice
The information contained herein is for reference only and does not constitute a warranty of performance

Partnered Supplier



sales@eylex.com.au
www.eylex.com.au

