

AT83 Series

HF two-piece sectional whip, monopole, stiff lower section, 8 m, 1.6-30 MHz

Naval Antennas and Systems: Shipboard



Description

The Comrod AT83 series antenna is a fully ruggedized, high quality fibreglass transmitting antenna suitable for HF frequency bands. The antenna matches well with all military HF shipboard transmitters as well as modern SSB marine telephony transmitters. The antennas can be part of any MF/HF communication system and is designed to satisfy the demands of the GMDSS.

The antenna is a two piece whip with a 5 metre lower whip and 3 metre upper whip. The larger diameter lower whip produces a stiffer antenna suited to more rugged applications.

Feed point options are available depending on the installation required.

Electrical Specifications

Frequency Range	1.6 - 30 MHz
Power Rating	1.5 kW PEP
Impedance	see Table overleaf
Polarisation	Vertical
Pattern	Omnidirectional
Electrical Length	7.5 m

Mechanical Characteristics

Design	Self supporting two piece fibreglass sections
Height	
• Overall	8 m
• Lower Whip	5 m
• Upper Whip	3 m
Weight	
• Base	ATB50D - 18.5 kg ATB50D/S - 18.9 kg
• Top	APB31 - 1.8 kg
Sections	
• Base	ATB50D (end feed) ATB50D/S (side feed)
• Top	APB31
Wind Rating	55 m/s = 201 km/h
Moment of Flexure	90 kpm at 55 m/s
Finish	Polyurethane lacquer, grey
Temperature Range	- 55°C to + 55°C
Ice Build-up	Not affected
Water Proofing	IP67



AT83D - End Fed
Side Feed also available

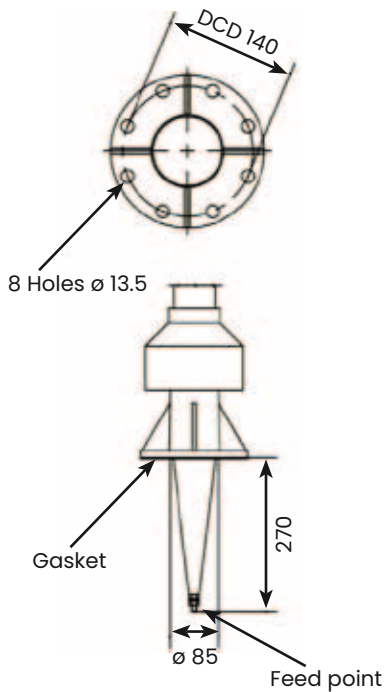
Impedance Measurements

Antenna mounted on a 2 m steel pipe over flat steel roof. Feed line 2 m.

Frequency (MHz)	Transmitting Antenna 8 m
1.6	4-j1.060
2.0	5-j800
3.0	9-j470
4.0	11-j290
5.0	20-j145
6.0	28-j38
7.0	55+j55
8.0	60+j155
10.0	200+j400
12.0	1000+j300
16.0	500-j500
18.0	250-j450
22.0	70-j80
25.0	240-j200
30.0	400-j300

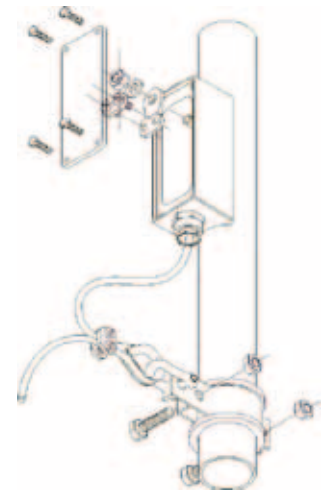
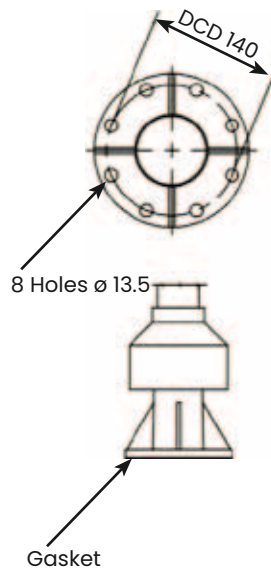
AT83D

Deck mounted, end feed



AT83D/S

Deck mounted, side feed



Side Feed
Installation of Cable

September 2018

All specifications are subject to change without notice
The information contained herein is for reference only and does not constitute a warranty of performance

Partnered Supplier



sales@eylex.com.au
www.eylex.com.au

