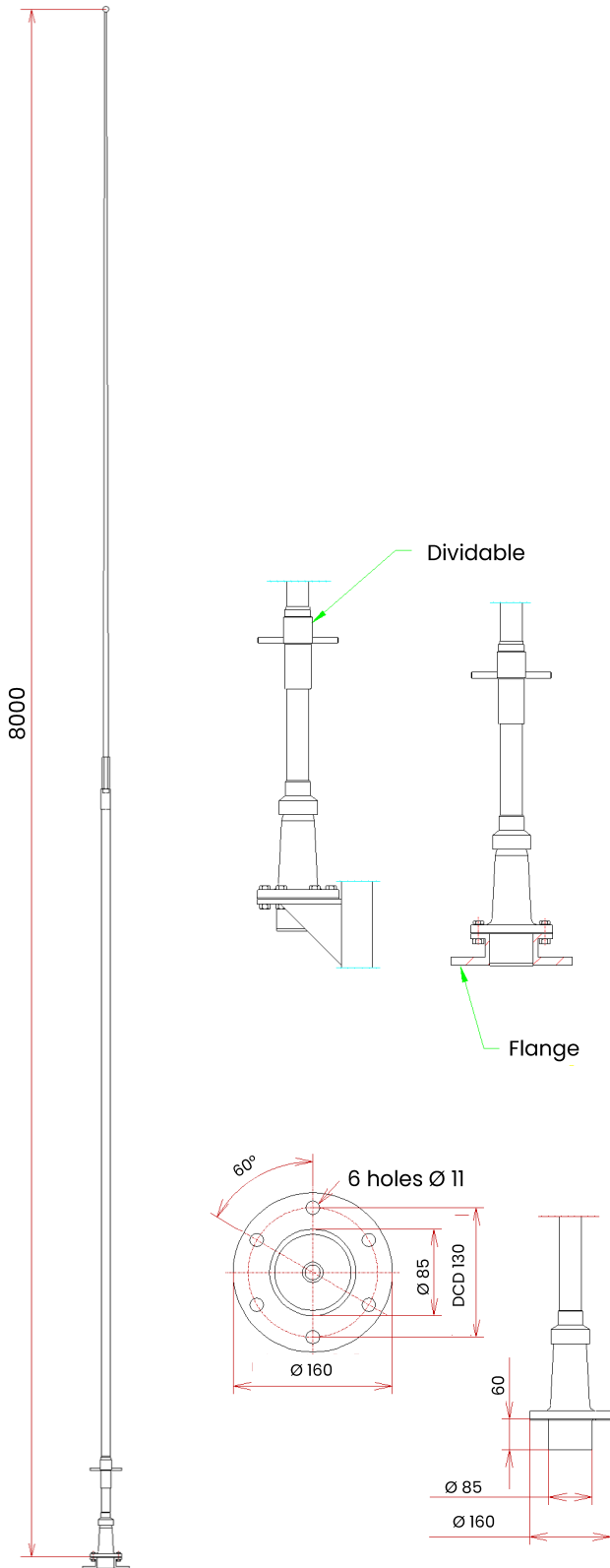


AT82D/D

HF two-piece sectional whip, monopole, 8 m, 1.6–30 MHz
Naval Antennas and Systems: Shipboard



Application

AT82D/D is a high quality fiberglass transmitting antenna mainly for maritime use in the MF and HF bands. The antenna is equivalent to the AT82D except that it is divided above the base. The main part of the antenna can then be removed without the use of tools. When the whip is removed a long wire antenna can be connected at the remaining part of the base.

Electrical Specifications

Frequency Range	1.6–30 MHz
Power Rating	1.5 kW PEP
Impedance	See diagram on reverse side
Pattern	Omnidirectional
Polarisation	Vertical
Electrical Length	8 m

Mechanical Specifications

Design	Self-supporting fibreglass rod with bronze and stainless steel armatures
Height	8 m
Weight	11 kg
Sections	Base section: ATB42D/D Top section: APB41
Wind Rating	55 m/s = 201 km/h
Moment of Flexure	93.7 kpm at 55 m/s
Deflection due to Wind Load	4.6 m at tip ball at 55 m/s wind load
Finish	Polyurethane lacquer, grey
Temperature Range	- 55°C to + 71°C

Mounting

The AT82D/D is well suited for mounting on top of the radio cabin. If the feeding insulator is not long enough, extensions are available.

The flange holes are matched to M10 bolts.

Impedance at MF and HF

Frequency in MHz, antenna mounted on a 2m steel pipe over flat steel roof. Feed line 2m.

Frequency (MHz)	Transmitting Antenna 8 m
1.6	4-j1.060
2.0	5-j800
3.0	9-j470
4.0	11-j290
5.0	20-j145
6.0	28-j38
7.0	55+j55
8.0	60+j155
10.0	200+j400
12.0	1000+j300
16.0	500-j500
18.0	250-j450
22.0	70-j80
25.0	240-j200
30.0	400-j300

September 2018

All specifications are subject to change without notice
The information contained herein is for reference only and does not constitute a warranty of performance

Partnered Supplier



sales@eylex.com.au
www.eylex.com.au

