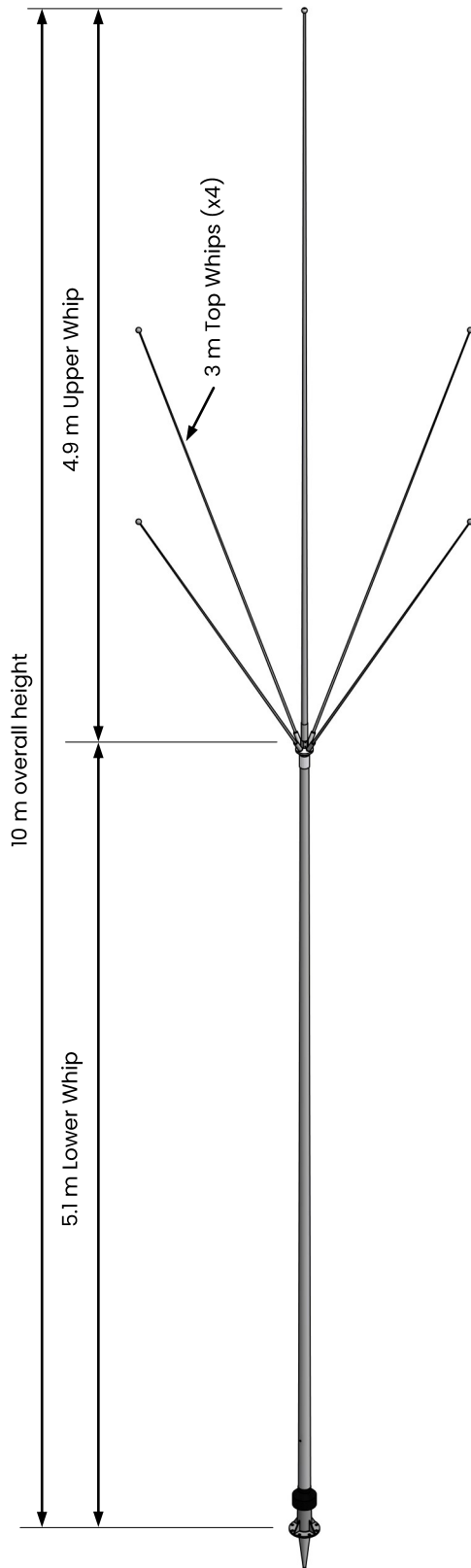


## AT101 Series

HF, two-piece sectional whip, monopole, deck mount, end feed  
(with 4 x top whips), 10 m, 1.6–30 MHz

### Commercial and Marine Antennas



AT101D - End Fed shown  
Side feed versions available

### Application

The AT101 Series antenna is a high quality glass fibre transmitting antenna for marine coastal and HF telephony bands. It matches well all modern SSB marine telephony transmitters. Four top whips give it improved electrical characteristics.

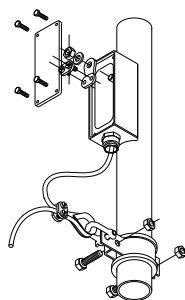
End fed or side feed options are available.

### Electrical Specifications

<b>Frequency Range</b>	1.6–30 MHz
<b>Power Rating</b>	1.5 kW PEP
<b>Capacitance at CF</b>	145 pF
<b>Pattern</b>	Omnidirectional
<b>Polarisation</b>	Vertical
<b>Electrical Length</b>	14.5 m

### Mechanical Specifications

<b>Design</b>	Self supporting fibreglass rod with stainless steel armature
<b>Height</b>	10 m
<b>Weight</b>	End Feed: 27 kg Side Feed: 26 kg
<b>Sections</b>	Base section - end fed: ATB51D - 19.5 kg Base section - side feed: ATB51DS - 18.5 kg Base section - side feed: ATB51DS/H - 18.5 kg Top section: APB50 - 3.5 kg Top Whips: 4 x APB3 - 4.0 kg
<b>Wind Rating</b>	55 m/s = 125 mph
<b>Moment of Flexure</b>	400 kpm at 55 m/s
<b>Deflection due to Wind Load</b>	5.5 m at tip ball at 55 m/s wind load
<b>Finish</b>	Polyurethane lacquer, white, other colours available on request
<b>Temperature Range</b>	- 55°C to + 55°C
<b>Water Proofing</b>	IP67



Side feed

### Mounting

The AT101 Series is suited to mounting on top of the radio cabin. End fed and side feed options are available. See page 2 for details.

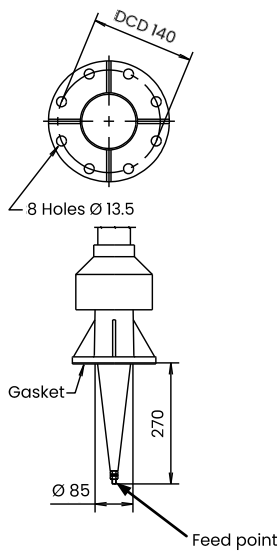
If the end fed insulator is not long enough, extensions are available.

The mounting flange holes are suitable for M12 bolts.

## Antenna Variants

### AT101D

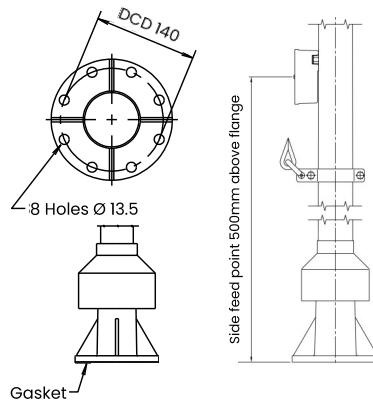
Deck mounted, end feed



End fed RF cable installation

### AT101DS

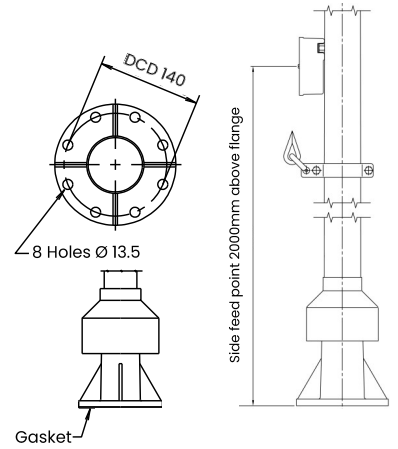
Deck mounted, side feed



Side feed RF cable positioned 500 mm above the mounting flange

### AT101DS/H

Deck mounted, side feed (high)



The AT101DS/H uses the same side feed point as the AT101DS but it is positioned 2 metres above the base flange

September 2018

All specifications are subject to change without notice  
The information contained herein is for reference only and does not constitute a warranty of performance

Partnered Supplier



[sales@eylex.com.au](mailto:sales@eylex.com.au)  
[www.eylex.com.au](http://www.eylex.com.au)

