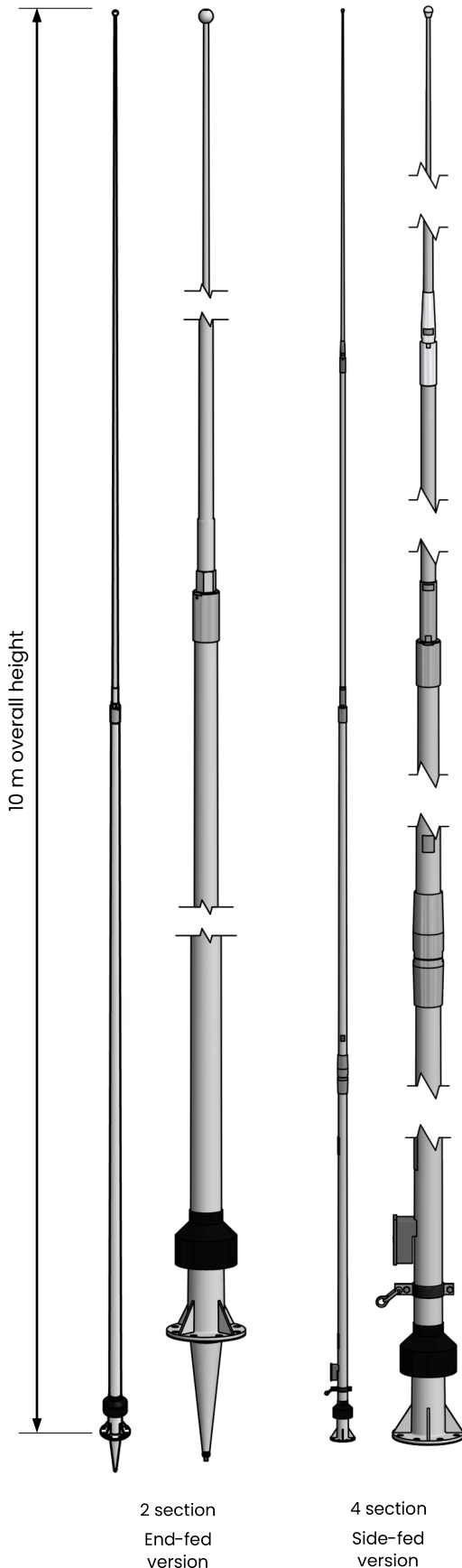


## AT100 Series

HF, two-piece sectional whip, monopole, end feed, 10 m, 1.6–30 MHz  
**Commercial and Marine Antennas**



2 section  
End-fed  
version

4 section  
Side-fed  
version

### Application

The AT100 Series antenna is a high quality glass fibre transmitting antenna for marine coastal and HF telephony bands. It matches well all modern SSB marine telephony transmitters.

The AT100 is available as a two piece antenna as standard or as a four piece antenna to minimise shipping size.

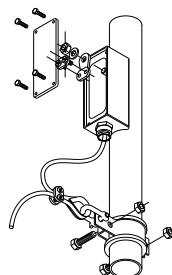
End-fed or side-fed options are available.

### Electrical Specifications

<b>Frequency Range</b>	1.6–30 MHz
<b>Power Rating</b>	1.5 kW PEP
<b>Impedance</b>	See table on page 3
<b>Pattern</b>	Omnidirectional
<b>Polarisation</b>	Vertical
<b>Electrical Length</b>	10 m

### Mechanical Specifications

<b>Design</b>	Self supporting fibreglass rod with stainless steel armature
<b>Height</b>	10 m nominal
<b>Weight</b>	See table on page 2
<b>Sections</b>	See table on page 2
<b>Wind Rating</b>	55 m/s = 201 kph
<b>Moment of Flexure</b>	275 kph at 55 m/s
<b>Deflection due to Wind Load</b>	5 m at tip ball at 55 m/s wind load
<b>Finish</b>	Polyurethane lacquer, white Other colours available on request
<b>Temperature Range</b>	- 55°C to + 55°C
<b>Water Proofing</b>	IP67



Side-fed

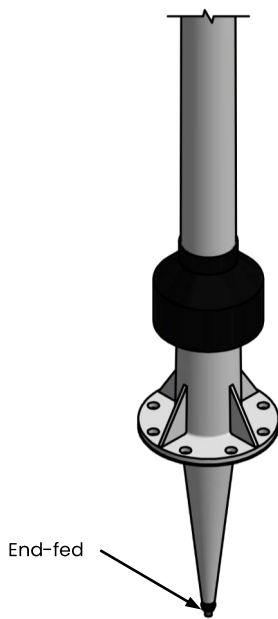
The AT100 Series is suited to mounting on top of the radio cabin. End-fed and side-fed options are available. See page 2 for details. If the end-fed insulator is not long enough, extensions are available.

The mounting flange holes are suitable for M12 bolts.

## Dimensions and Weights

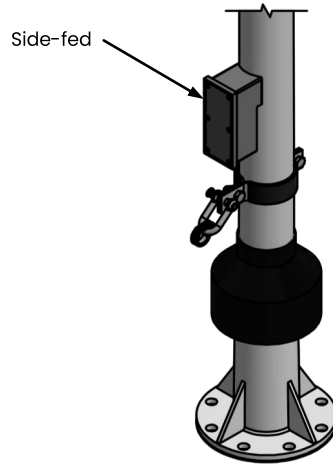
	Two-Section	Four-Section
<b>Dimensions</b>	5 m nominal section length	2.5 m nominal section length
<b>Weight</b>	End-fed: 22 kg Side-fed: 19.8 kg	End-fed: 25.6 kg Side-fed: 23.4 kg
<b>Sections</b>	Base section - End-fed: ATB50 - 18.5 kg Base section - Side-fed: ATB50DS - 16.3 kg Base section - High side-fed: ATB50DS-H - 16.3 kg  Top section: APB50 - 3.5 kg	Base section - End-fed: AT100D-4B - 14.1 kg Base section - Side-fed: AT100DS-4B - 11.9 kg Base section - High side-fed: AT100DS-H-4B - 11.9 kg  Lower section: AT100-4L - 8.5 kg Middle section: ASM25-2 - 2.2 kg Top section: APB25 - 0.8 kg

## Feed Options



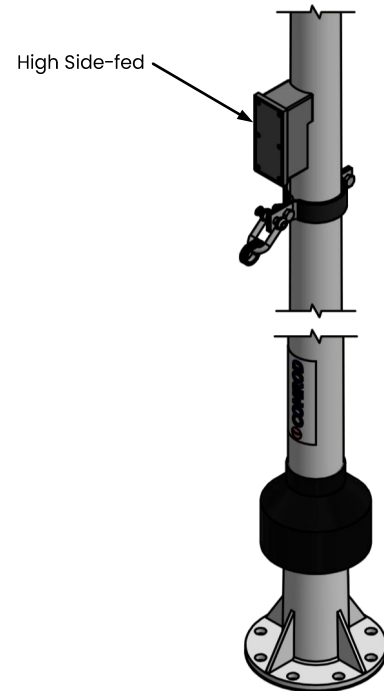
**AT100D**

Deck mounted, end-fed



**AT100DS**

Deck mounted, side-fed  
Fed cable positioned 500mm above the mounting flange

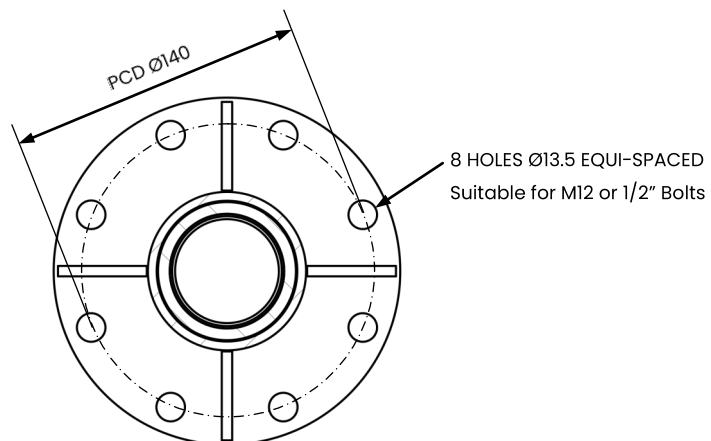


**AT100DS-H**

Deck mounted, side-fed (high)  
Uses the same side feed point as the AT100DS but it is positioned 2 metres above the base flange

## Base Flange Mounting Detail

(common for all feed types)



## Impedance at CF and HF

Frequency in MHz, normal installation

Frequency (MHz)	Impedance AT100 Series
1.6	5-j1000
2.0	6-j600
3.0	10-j350
4.0	11-j200
6.0	24-j34
7.0	48+j57
8.0	80+j140
9.0	180+j275
11.0	750+j60
12.0	500-j350
13.0	250-j360
14.0	150-j300
16.0	70-j180
17.0	55-j135
22.0	200+j130
23.0	350+j60
25.0	275-j200
30.0	68-j52.5

---

All specifications are subject to change without notice  
The information contained herein is for reference only and does not constitute a warranty of performance

Partnered Supplier



[sales@eylex.com.au](mailto:sales@eylex.com.au)  
[www.eylex.com.au](http://www.eylex.com.au)

