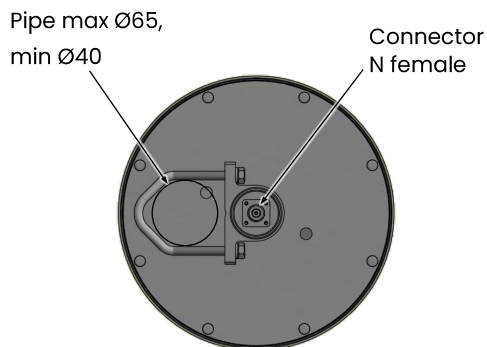
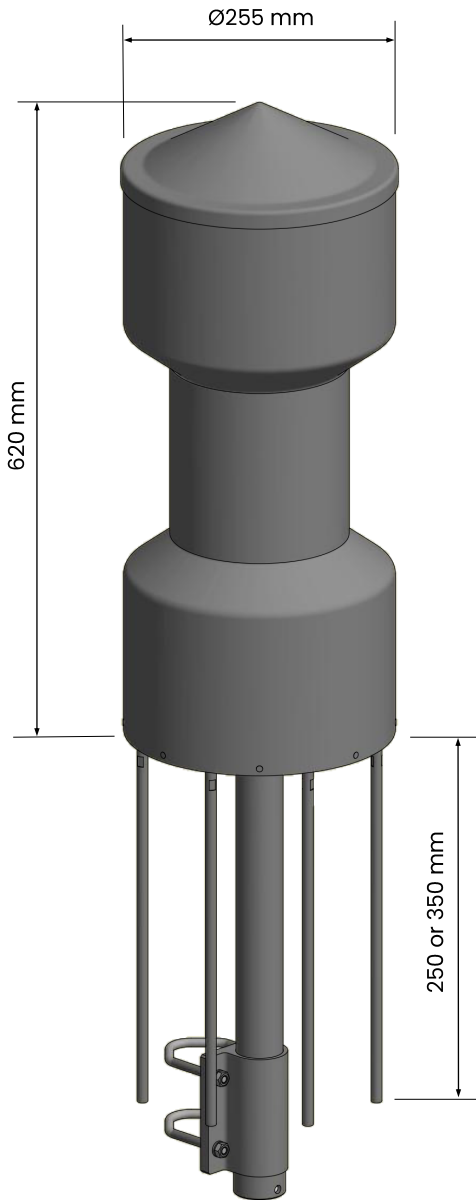


AC10

1.06 m, VHF, UHF, 2 dBi, broadband antenna, dipole, end feed, mast mount, 115–1500 MHz

Commercial and Marine Antennas



Application

- Broadband antenna covering large frequency range
- VHF/UHF
- Standard models
108–1500 MHz
160–1500 MHz
- Special model
100–1500 MHz
- Fully ruggedized construction suitable for use in harsh environments
- Suitable for use on all platforms including shipboard

Electrical Specifications

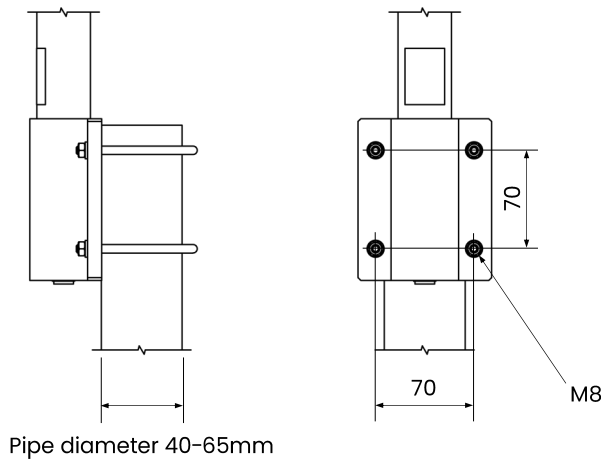
Frequency Range	108–1500 MHz, with 250mm lower whips 160–1500 MHz, without lower whips 100–1500 MHz, with 350mm lower whips
Impedance	50 Ω
Power Rating	500 W < 400 MHz, 250 W > 400 MHz
Radiation Pattern	Horizontal plane: Omnidirectional
Gain	2 dBi typical
Polarization	Vertical
VSWR	<u>108–1500 Model</u> 3:1 108–118 MHz 2:1 118–1000 MHz 2.5:1 1000–1500 MHz <u>160–1500 MHz model</u> 2:1 160–1000 MHz 2.5:1 1000–1500 MHz <u>100–1500 MHz model*</u> 2.5:1 100–118 MHz 2.3:1 118–1000 MHz 3:1 1000–1500 MHz
Connector	N-female, others on request

* 100–1500 MHz model has a different internal build to the 108–1500 and 160–1500 MHz models and can only be used with 350mm lower whips.

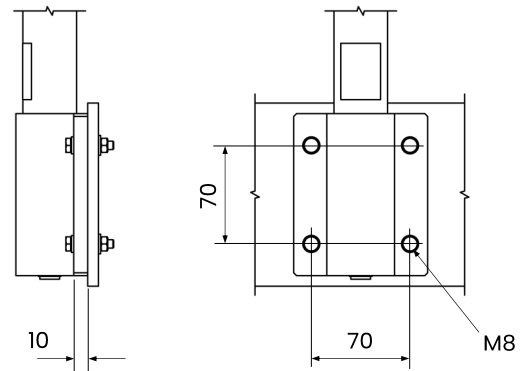
Mechanical Specifications

Design	Broadband coaxial dipole. Made from aluminium and fibreglass.
Length	106 cm with base
Weight	5 kg
Wind Rating	55 m/s
Moment of Flexure	200 Nm at 55 m/s
Finish	Polyurethane lacquer. White, grey, green, tan colour options
Temperature Range	- 55°C to +71°C

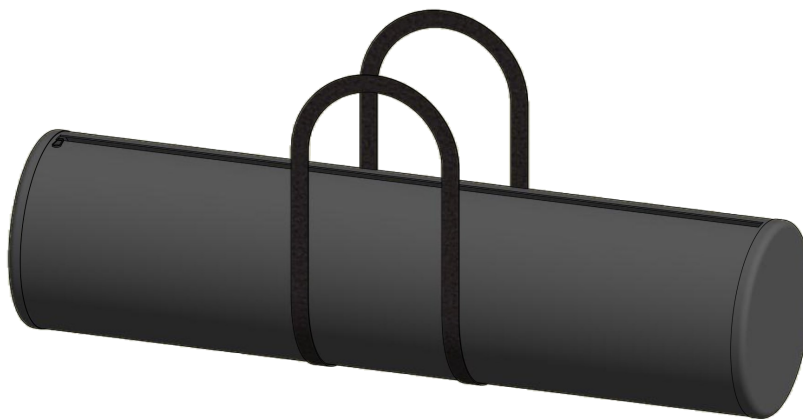
Pole Mount



Wall Mount



Options



An optional carrying bag is available to protect the AC10 while being transported. Please contact Comrod for further information.

June 2021

All specifications are subject to change without notice
The information contained herein is for reference only and does not constitute a warranty of performance

Partnered Supplier



sales@eylex.com.au
www.eylex.com.au

