

VM and CEF Connections

Pole mount bracket, dipole antenna elements
Tactical Antennas: Vehicle Mount



Technical Description

This bracket is used to mount a Comrod dipole antenna element to a suitable support pole. The bracket can be configured for a vertical or horizontal support pole. Two versions are available with either the Comrod VM or CEF type top connection for the antenna element. The bottom connector is N-type female.

VM Connector



Fig 1a - VM Connector Bracket



Fig 1b - VM Connector Antenna Element



CEF Connector



Fig 2a - CEF Connector Bracket



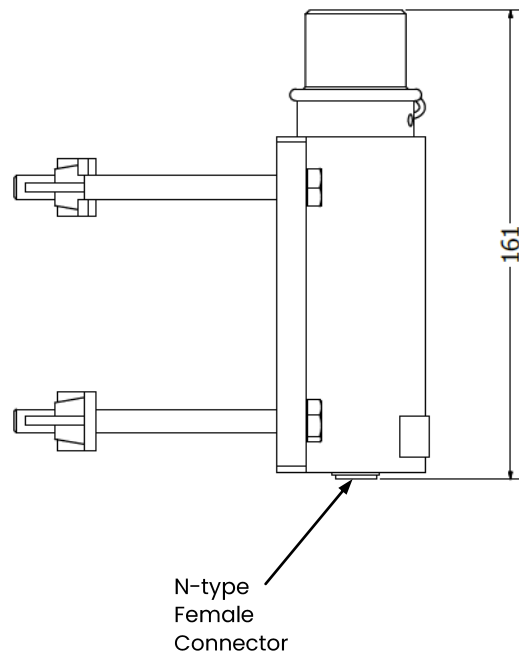
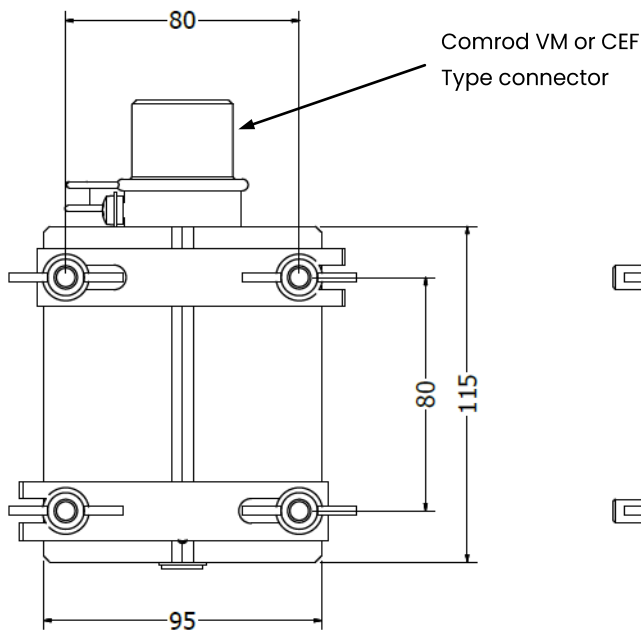
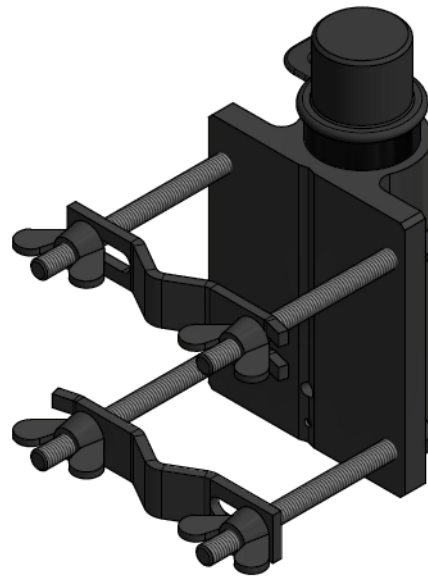
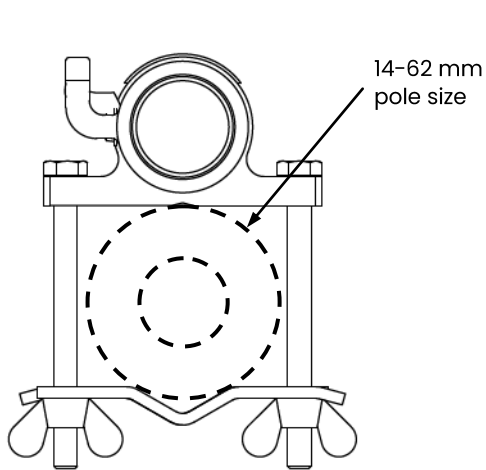
Fig 2b - CEF Connector Antenna Element



Mechanical Specifications

Design	Aluminium, brass and stainless steel. All metal parts plated.
Dimensions	See diagram on page 2
Weight	1.2 kg
Pole Mount Size	14-62 mm
Colour	Black
Temperature Range	- 55°C to + 71°C

Outline Dimensions



August 2019

All specifications are subject to change without notice
The information contained herein is for reference only and does not constitute a warranty of performance

Partnered Supplier



sales@eylex.com.au
www.eylex.com.au

