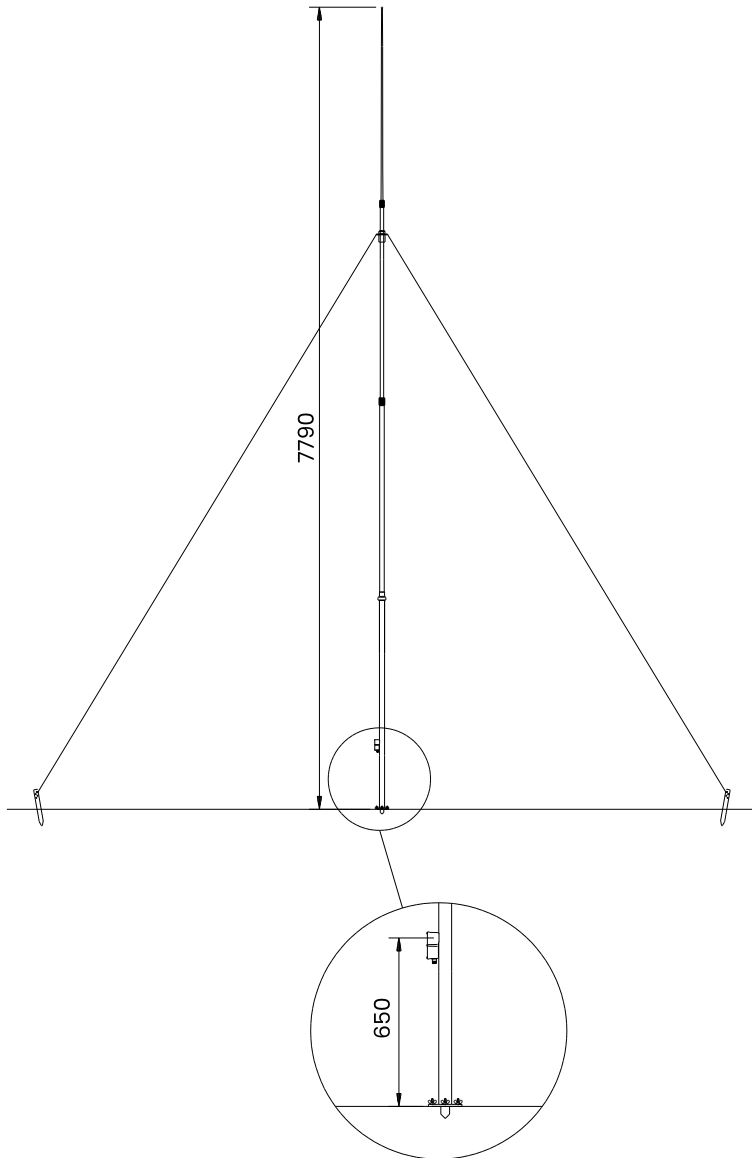


APX80

HF ground mounted sectional whip, monopole, guyed, 7.8 m,
1.6-30 MHz

Tactical Antennas: Tactical and Base Station



Application

The APX80 is a high performance tactical mast antenna. It is easy to erect even if the total length is 8 m. The antenna is made from 4 sections that are easily screwed together. APX80 comes complete with all accessories, even a ground plane. The ground plane consists of 8 radial wires which is connected to the base plate. The antenna can be used both for transmit and receive applications.

Electrical Specifications

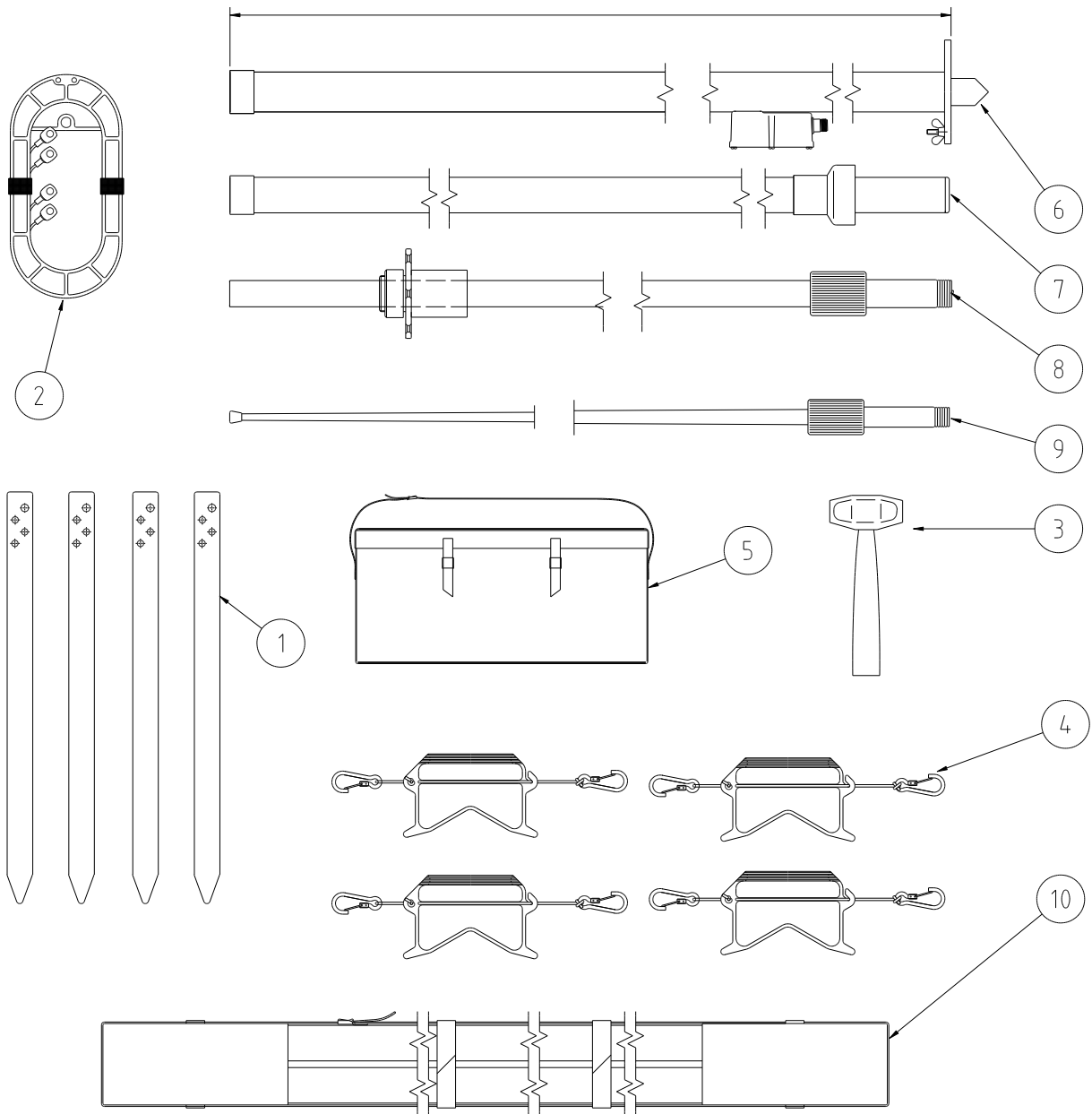
Frequency Range	1.6-30 MHz
Resonant Frequency	9.6 MHz
Power Rating	1000 W
Polarisation	Vertical
Connector	Depends on application, to be specified

Mechanical Specifications

Design	End fed whip with ground plane consisting of 8 radials. The whip consists of 4 sections. Radiating elements completely enclosed in epoxy/fibreglass laminate. Metal parts are brass or stainless steel.
Wind Rating	55 m/s
Finish	Polyurethane lacquer, olive
Temperature Range	- 55°C to + 71°C
Weight	Approximately 25 kg
Length	8 m 2 m, packed

The antenna can be used at lower frequencies if the maximum power is reduced. This makes it possible to use it as a portable antenna for MF beacons.

Description of Package



Part	Description	Quantity	Comment
1	Guy Pegs	4	
2	Ground plane cable assembly	1	
3	Hammer	1	
4	Guy rope on winder	4	
5	Accessories bag	1	
6	Antenna base section	1	
7	Antenna lower middle section	1	
8	Antenna upper middle section	1	
9	Antenna top section	1	
10	Carrying bag for antenna	1	

September 2018

All specifications are subject to change without notice
The information contained herein is for reference only and does not constitute a warranty of performance

Partnered Supplier



sales@eylex.com.au
www.eylex.com.au

