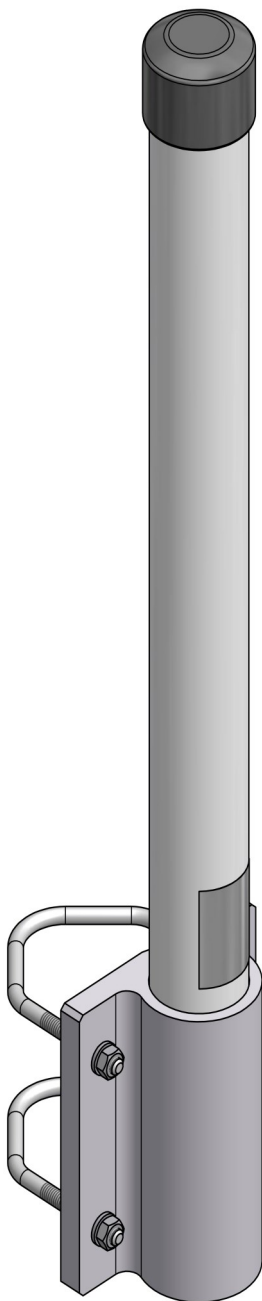


UHF427M

UHF, Cellular, LTE, 1 dBi, one piece whip, dipole, end feed, mast mount, 0.5 m, 450-470 MHz, 698-960 MHz, 1710-2690 MHz

Commercial and Marine Antennas



Application

UHF427M is a wideband dipole antenna designed for LTE frequency bands. It is a high quality antenna with a durable construction and a beautiful finish for installation on all kinds of vessels. The base also makes it easy to directly install onto buildings.

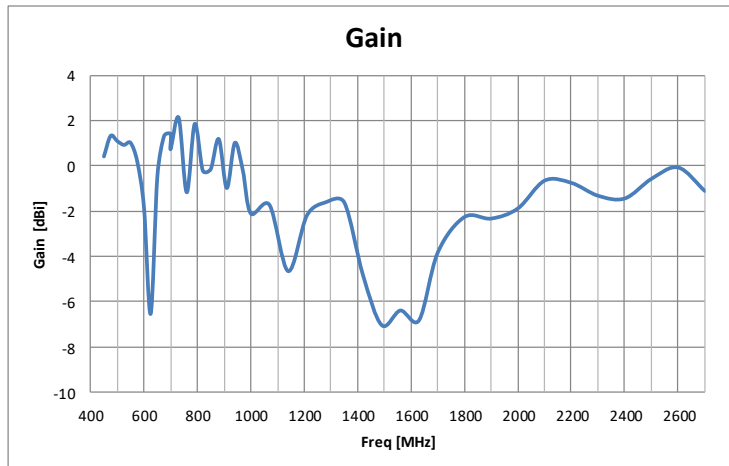
Electrical Specifications

Frequency Range	450-470 MHz 698-960 MHz 1710-2690 MHz
VSWR	2.5:1 typical (max 3:1)
Nominal Impedance	50 Ω
Power Rating	20 W
Gain	Average 1 dBi, minimum - 3 dBi (see curve)
Radiation Pattern	Omnidirectional
Polarisation	Vertical
Connector	N Type Female

Mechanical Specifications

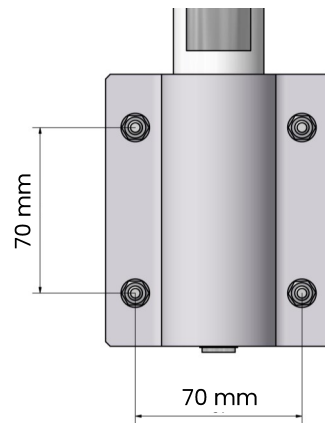
Design	Dipole element. Radiating elements completely enclosed in epoxy/fibreglass laminate. Metal parts are brass, aluminum and stainless steel.
Length	50 cm
Weight	1.0 kg
Mounting	30-60 mm tube (U-bolts) Direct wall mount
Wind Rating	55m/s (201 kph)
Finish	Polyurethane lacquer
Temperature Range	- 55°C to + 71°C

Gain Curve



Tube or Wall Mount

UHF427M is easily mounted to the bulkhead by means of 4 holes in the aluminium bracket, or to a mast or tube with the U-bolts. The tube may be horizontal or vertical. The stainless steel U-bolts are included. Suitable cable: RG58, RG213 or similar.



N female connector

September 2018

All specifications are subject to change without notice
The information contained herein is for reference only and does not constitute a warranty of performance

Partnered Supplier



sales@eylex.com.au
www.eylex.com.au

