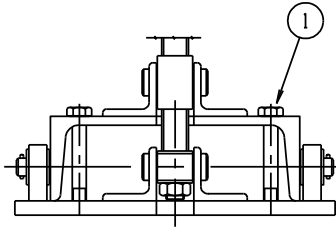


## T-AS9

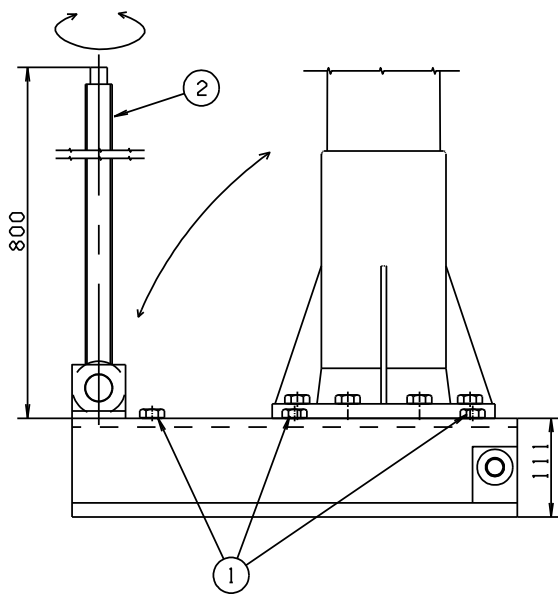
Manual tilting mechanism for AS9, AT130, AT110  
**Commercial and Marine Antennas**



### Application

The installation of a tilting device together with AS9, AT130 or AT110 is always recommended, making maintenance an easy task. In case of damage by for example cranes, a quick repair can be accomplished without the need of a crane for dismantling the antenna.

T-AS9 is mounted on deck or pedestal by means of 6 x M16 bolts.

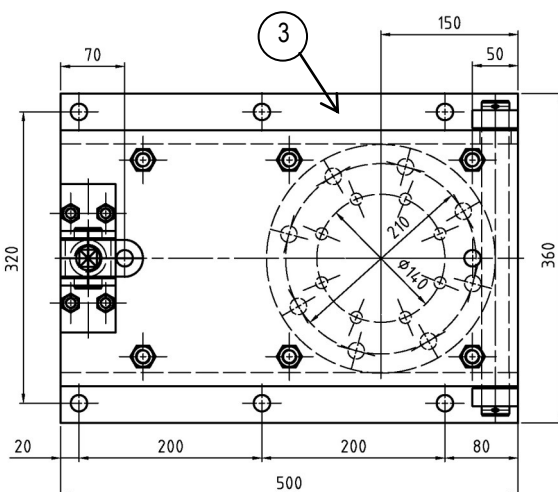


### Mechanical Specifications

<b>Design</b>	Hot dip galvanised hinge and base, stainless steel spindle and bronze armatures.
<b>Maximum Tilting Angle</b>	105°
<b>Spindle Location</b>	Up or down
<b>Maximum Tilting Moment</b>	400 kpm
<b>Weight</b>	56 kg
<b>Ratchet Crank</b>	Included

### Mounting

1. Dismount the safety bolts (pos.1)
2. Screw the hinged flap into position to mount the antenna
3. Mount the antenna to the hinged flap  
AS9 and AT130: Use 8 x M16 (ø210)  
AT110: Use 8 x M12 (ø140)  
Then erect the antenna
4. Mount the safety bolts (pos.1)



September 2018

All specifications are subject to change without notice  
The information contained herein is for reference only and does not constitute a warranty of performance

Partnered Supplier



sales@eylex.com.au  
www.eylex.com.au