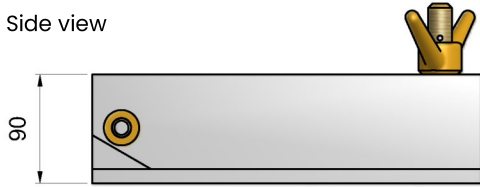


MT-100

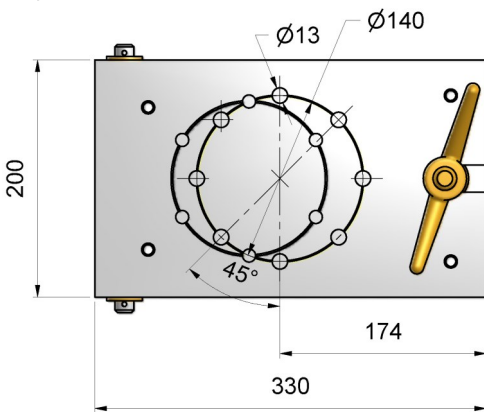
Manual tilting mechanism for AT100D, AT101D
Commercial and Marine Antennas



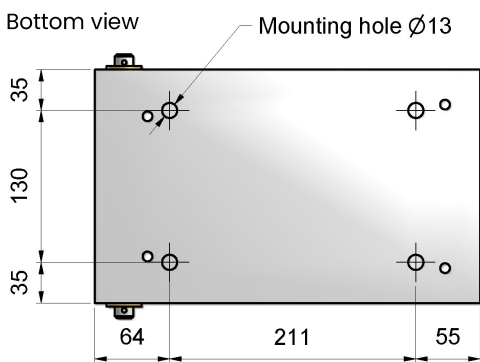
Side view



Top view



Bottom view



Application

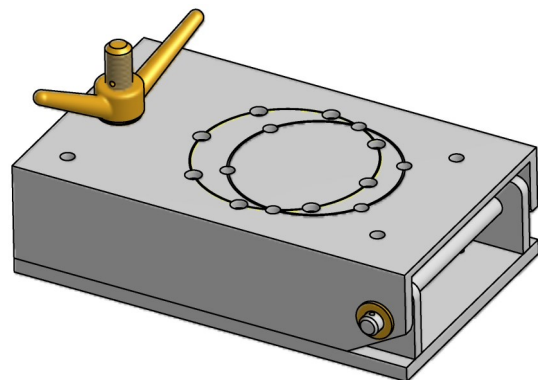
The installation of a tilting device together with AT100D/S and AT101D/S antennas is always recommended, making maintenance an easy task. In case of damage by for example cranes, a quick repair can be accomplished without the need of crane for dismantling the antenna.

Mechanical Specifications

Design	Hot dip galvanised hinge and base, stainless steel spindle and bronze handle screw nut.
Maximum Tilting Angle	105°
Weight	16 kg

Mounting

MT-100 is mounted on deck or pedestal by means of 4 x M12 bolts. Mounting to the antenna by means of 8 x M12 bolts.



September 2018

All specifications are subject to change without notice
The information contained herein is for reference only and does not constitute a warranty of performance

Partnered Supplier



sales@eylex.com.au
www.eylex.com.au