

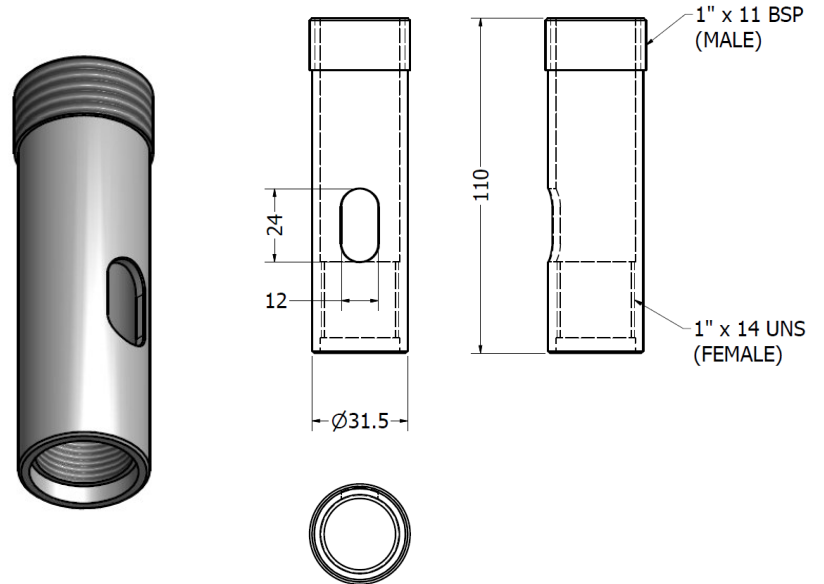
Adaptors-BI-T-TS

Mounting adaptors for BI, T and TS thread mount antennas
Commercial and Marine Antennas

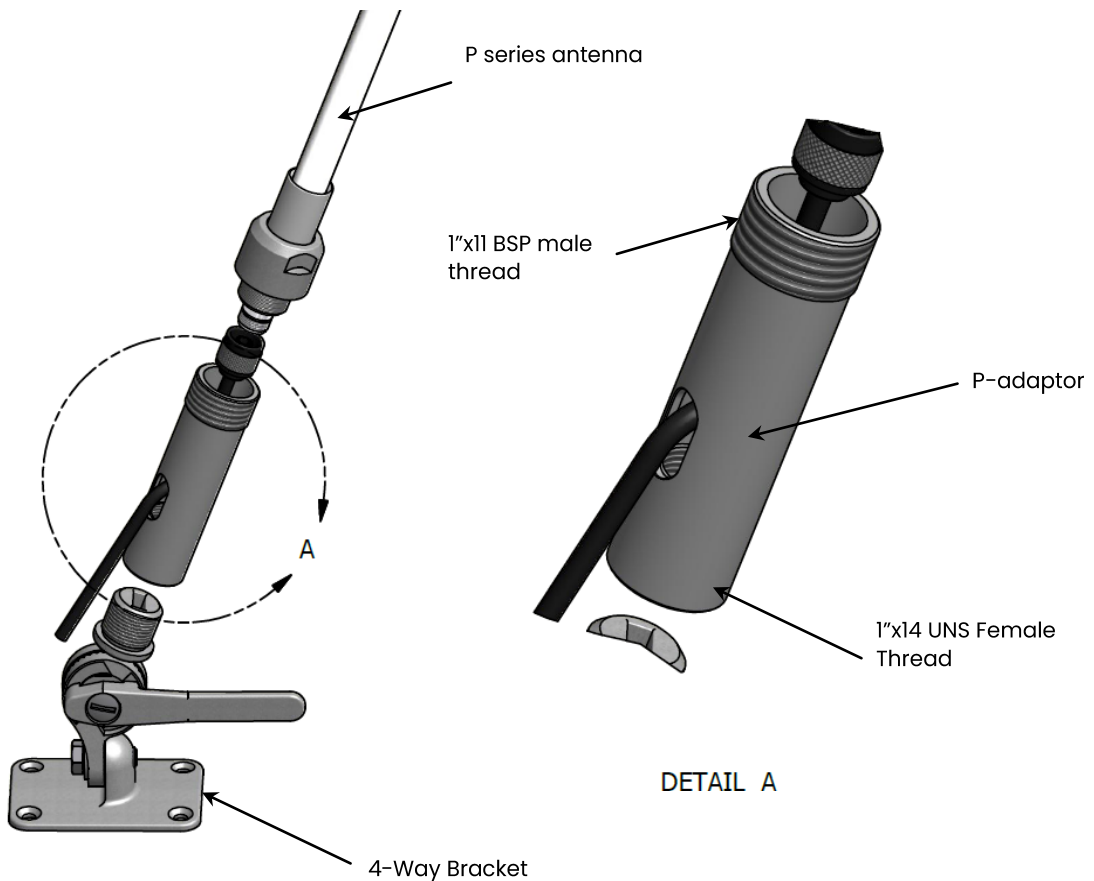


P-Adaptor

The P-Adaptor is used to mount P series antennas onto BI series brackets. P series antennas have a 1" x 11 BSP female thread at the base. The P-Adaptor has a 1" x 11 BSP male thread at the top and a 1" x 14 UNS female thread at the bottom. This 1" x 14 UNS female thread will fit all standard BI series Comrod brackets. A slot is provided on the side of the adaptor allowing the cable to exit above the bracket if required.

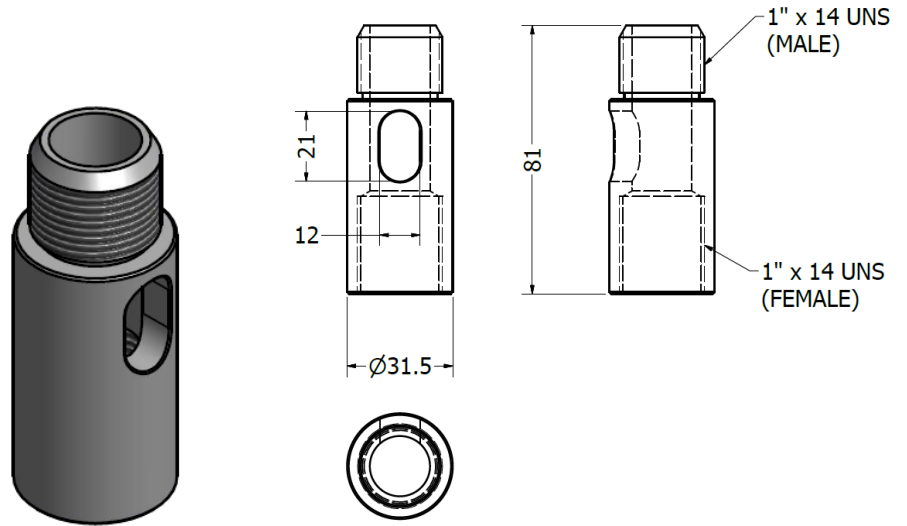


Typical Use

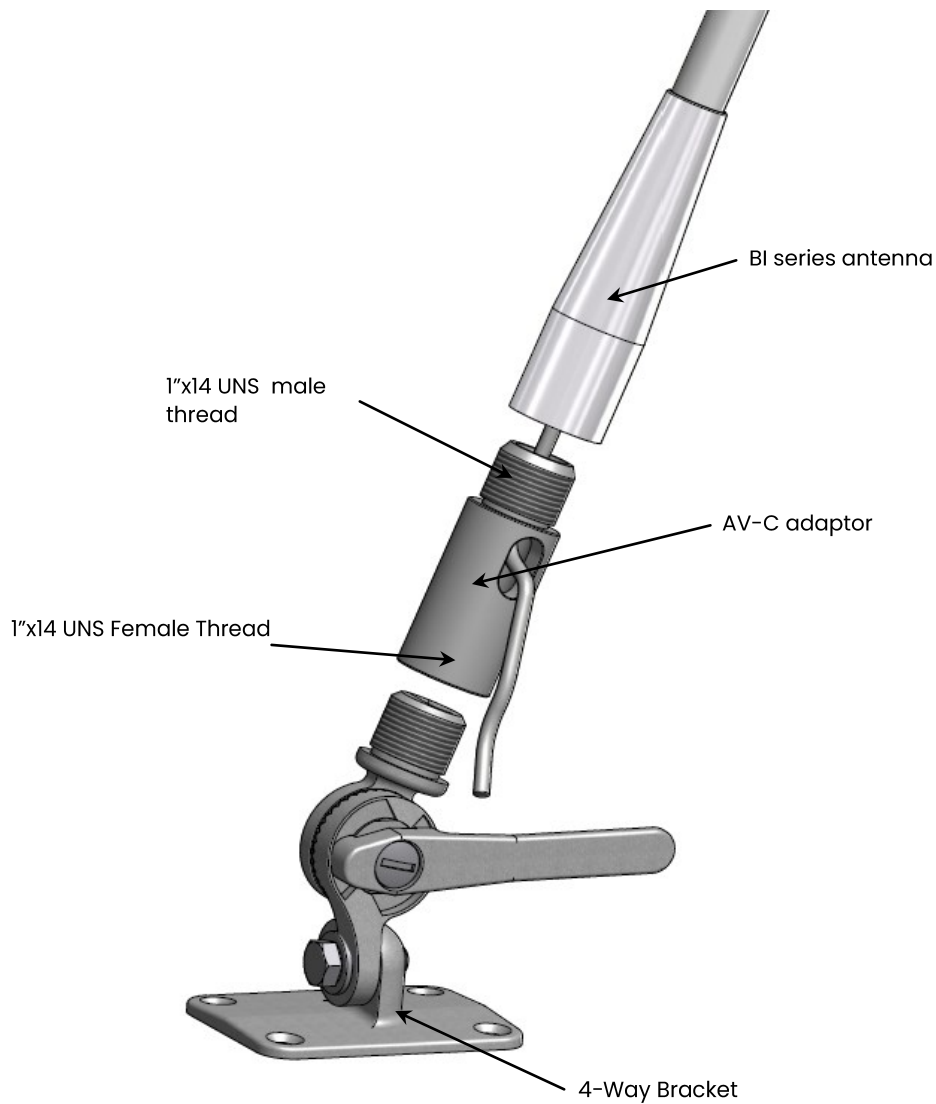


AV-C Adaptor

The AV-C adaptor is fitted in between BI series antennas and BI series brackets. The adaptor has a slot cut into the side allowing the coaxial cable to exit above the bracket. The adaptor has a 1" x 14 UNS male thread at the top and a 1" x 14 UNS female thread at the bottom.

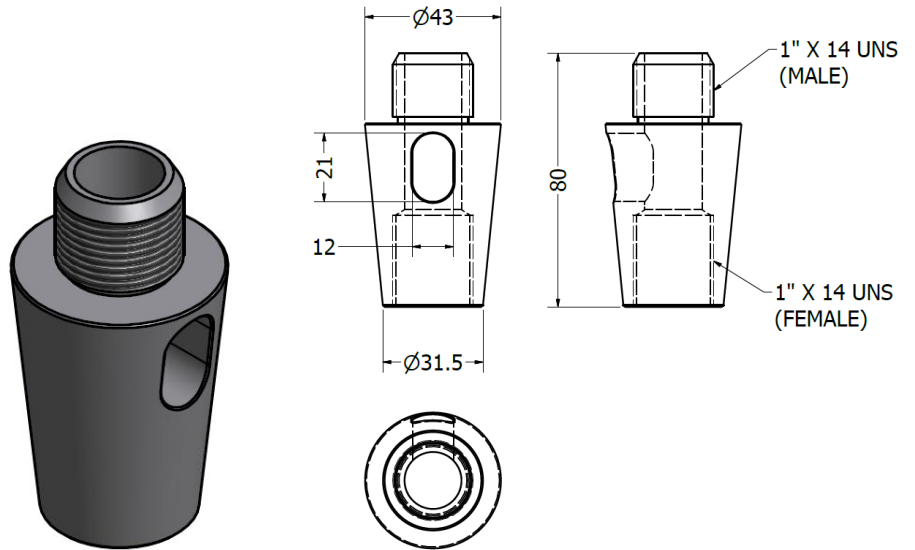


Typical Use

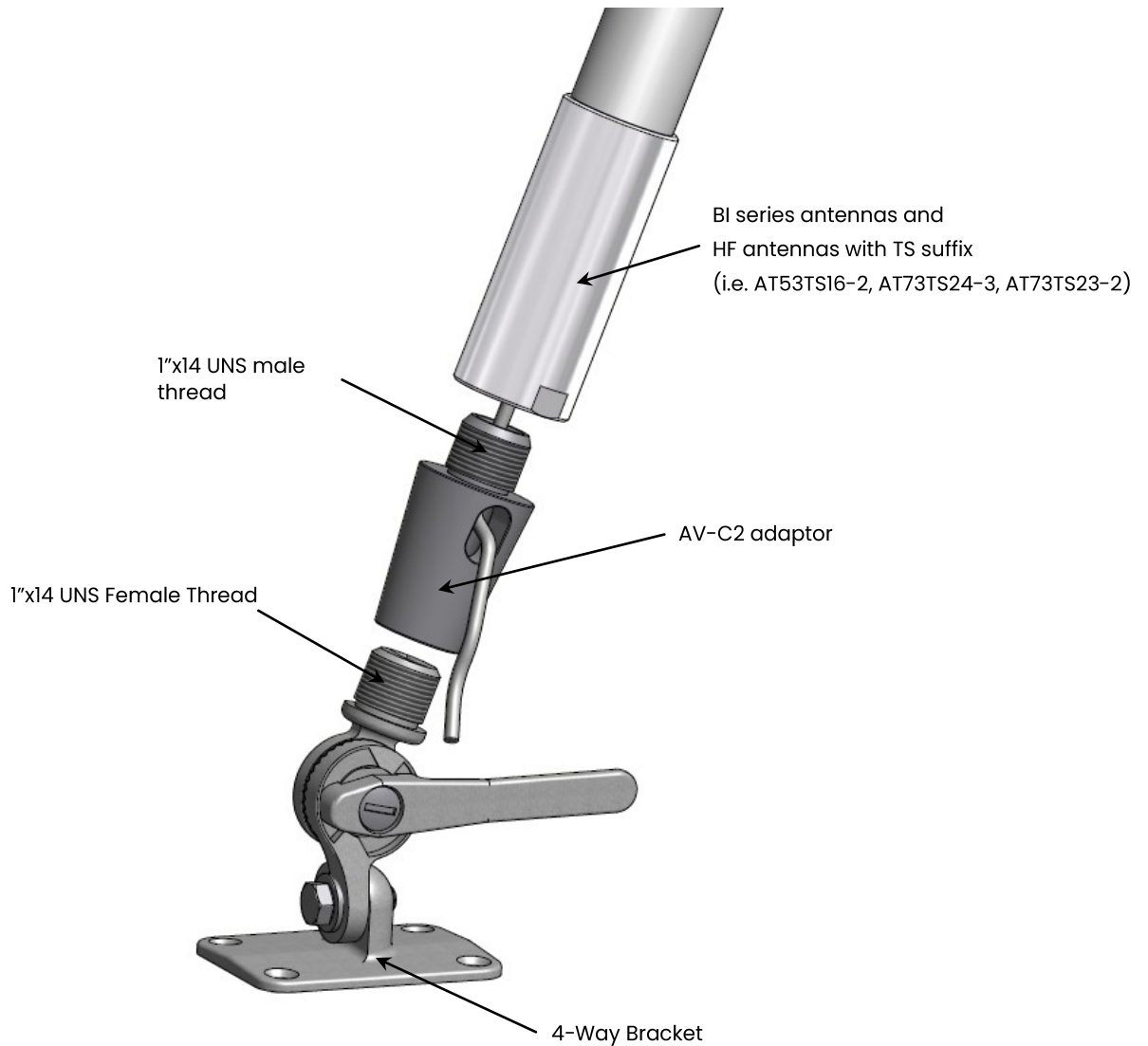


AV-C2 Adaptor

The AV-C2 is a tapered adaptor that is fitted in between larger diameter BI series antennas and BI series brackets. The adaptor will also fit some HF antennas with a TS suffix. The adaptor has a slot cut into the side allowing the coaxial cable to exit above the bracket. The adaptor has a 1" x 14 UNS male thread at the top and a 1" x 14 UNS female thread at the bottom.



Typical Use



September 2018

All specifications are subject to change without notice
The information contained herein is for reference only and does not constitute a warranty of performance

Partnered Supplier



sales@eylex.com.au
www.eylex.com.au

