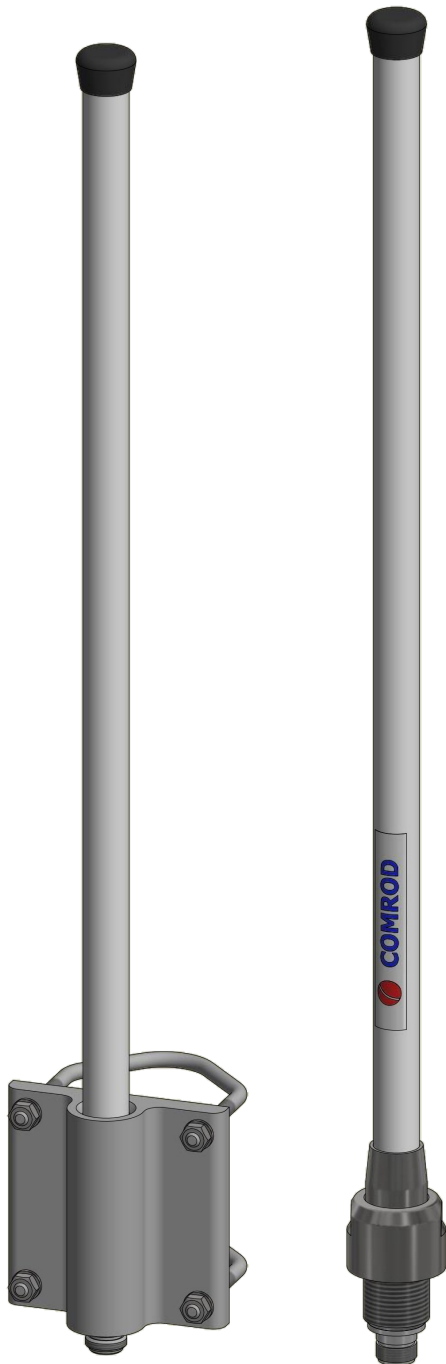


## AV64 Series

UHF, Tetra, 2 dBi, one piece whip, dipole, end feed, mast mount, 0.53 m, 380–480 MHz

### Commercial and Marine Antennas



AV64M

AV64P

## Application

The AV64 is a series of high quality antennas designed for marine UHF and Tetra services. It is a high quality antenna with a durable construction and a beautiful finish for installation on all kinds of vessels. The antenna is available with two mounting options.

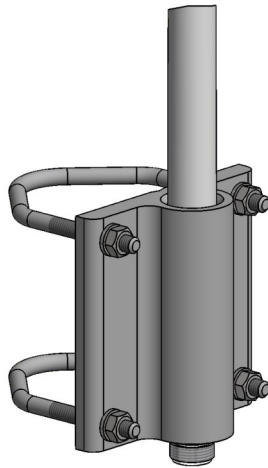
## Electrical Specifications

<b>Frequency Range</b>	380–480 MHz
<b>VSWR</b>	<2 @ 380–450 MHz <2.5 @ 450–480 MHz
<b>Nominal Impedance</b>	50 ohm
<b>Power Rating</b>	25 W
<b>Gain</b>	2 dBi
<b>Pattern</b>	Omnidirectional
<b>Polarisation</b>	Vertical
<b>Connector</b>	N female

## Mechanical Specifications

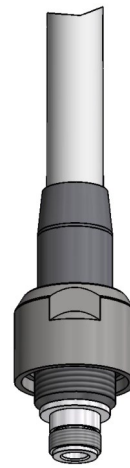
<b>Design</b>	Centre-fed coaxial dipole. Radiating elements completely enclosed in polyurethane foam within a fibreglass tube.
<b>Height</b>	AV64M - 0.5 m AV64P - 0.55 m
<b>Weight (approx)</b>	0.5 kg
<b>Wind Rating</b>	55 m/s = 201 kph
<b>Finish</b>	Polyurethane lacquer, white
<b>Temperature Range</b>	- 55°C to + 50°C

## Antenna Mounting Configurations



**AV64M**

Ø 30–60 mm Pole Mount  
Bulkhead Mount

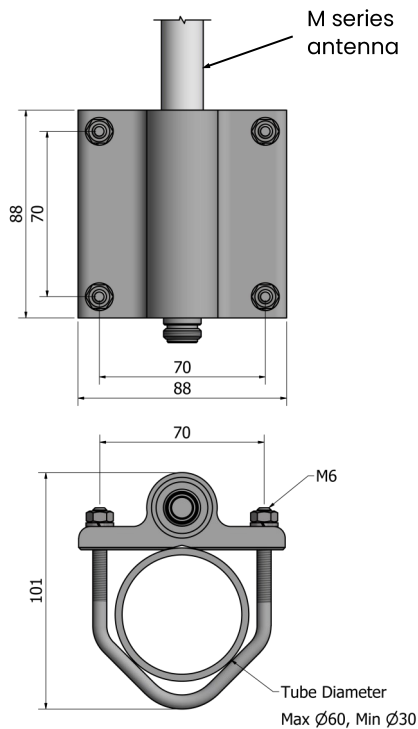


**AV64P**

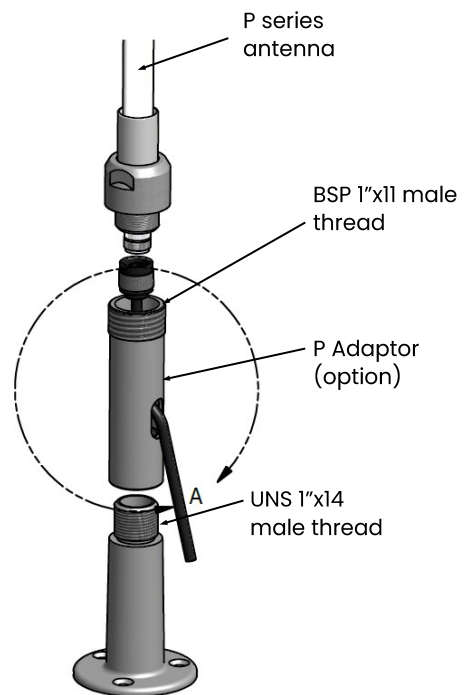
BSP 1" x 11 Female Nut  
UNS 1" x 14 Male Thread

## Mounting Accessories

Comrod has a range of antenna mounting brackets and adaptors for P series and BI series antennas. Please visit contact Eylex for more details [sales@eylex.com.au](mailto:sales@eylex.com.au)



Mast mount bracket  
(standard on AV64M)



Straight mount bracket  
(option)

February 2021

All specifications are subject to change without notice  
The information contained herein is for reference only and does not constitute a warranty of performance

Partnered Supplier



[sales@eylex.com.au](mailto:sales@eylex.com.au)  
[www.eylex.com.au](http://www.eylex.com.au)

