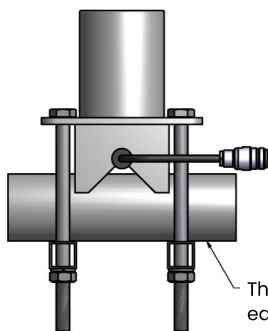
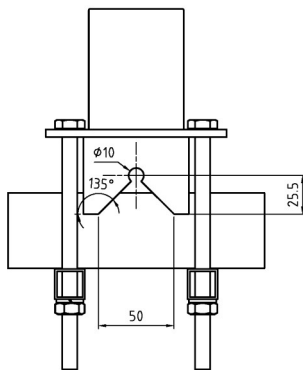
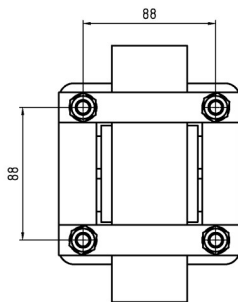
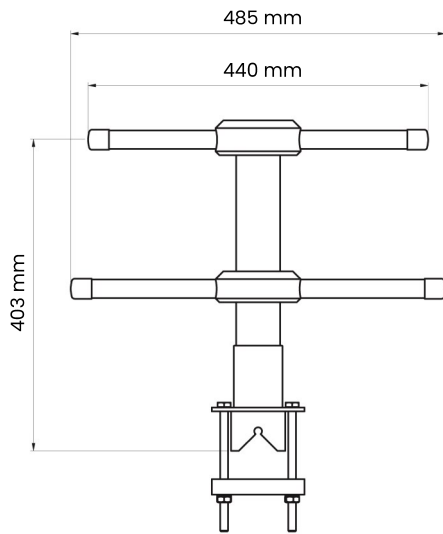


## AV43-330

UHF, 6.5 dBi, dipole with reflector, rear feed, mast mount 0.5 m, 328-336 MHz

### Commercial and Marine Antennas



The AV43-330 antenna is easily mounted to tube 2"-3"

### Application

AV43-330 is a half wave dipole with reflector utilised for near field monitoring of ILS glide path. Weather protection is achieved by embedding all conductors in fibreglass reinforced polyester. Cavities are filled with polyurethane foam.

### Electrical Specifications

<b>Frequency Range</b>	328-336 MHz
<b>Nominal Impedance</b>	50 $\Omega$
<b>Power Rating</b>	50 W
<b>Gain</b>	6.5 dBi
<b>Front/Back Ratio</b>	9 db
<b>Polarisation</b>	Linear
<b>Connector</b>	N-connector female
<b>VSWR</b>	< 1.5

### Mechanical Specifications

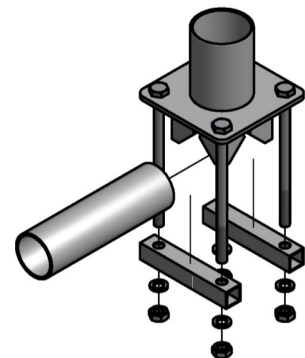
<b>Design</b>	Half wave dipole. Radiating elements completely enclosed in polyurethane foam within a fibreglass tube. Hot dip galvanised mounting hardware.
<b>Dimensions</b>	see drawing
<b>Weight</b>	3.5 kg
<b>Wind Rating</b>	55 m/s = 201 kph
<b>Finish</b>	Polyurethane lacquer, white
<b>Temperature Range</b>	- 55°C to + 55°C

### Mounting

The AV43-330 antenna is easily mounted to tube 2"-3".

The mounting hardware is suitable for both horizontal and vertical polarisation.

Suitable cable: RG8, RG213 or similar.



The mounting hardware is suitable for both horizontal and vertical polarisation

September 2018

All specifications are subject to change without notice  
The information contained herein is for reference only and does not constitute a warranty of performance

Partnered Supplier



sales@eylex.com.au  
www.eylex.com.au