

AV42-110

VHF, 6.5 dBi, dipole, rear feed, mast mount, 1.42 m, 108-112 MHz

Commercial and Marine Antennas



Application

AV42-110 is a halfwave dipole with a reflector utilised for farfield monitoring of ILS-localiser and for VOR-monitoring. Weather protection is achieved by embedding all conductors in fibreglass reinforced tubes. Cavities are filled with polyurethane foam.

Mechanical Specifications

Design	Halfwave dipole. Radiating elements completely enclosed in polyurethane foam within a fibreglass tube. Hot dip galvanised mounting hardware.
Dimensions	see drawing
Weight	4.6 kg
Wind Rating	55 m/s = 201 km/h
Finish	Polyurethane lacquer, white
Temperature Range	- 55°C to + 55°C

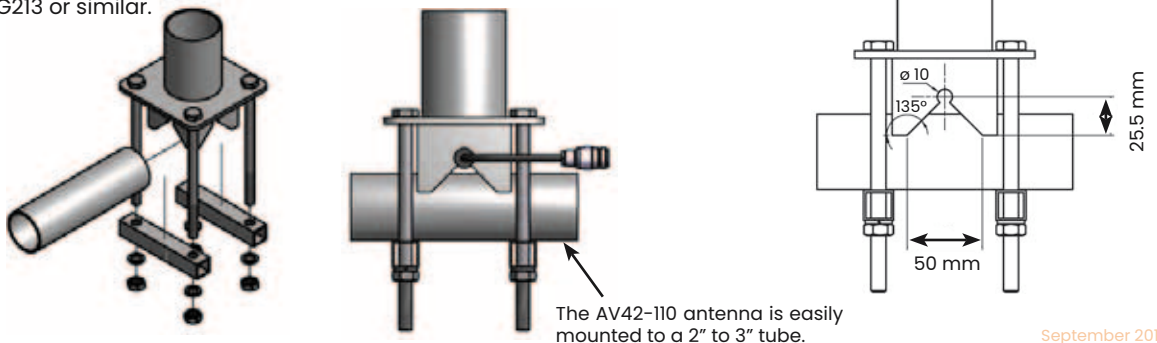
Electrical Specifications

Frequency Range	108 - 112 MHz
Nominal Impedance	50 Ω
Power Rating	50 W
Gain	6.5 dBi
Front/Back Ratio	9 dB
Polarisation	Linear
Connector	N connector female
VSWR	< 1.5

Mounting

The AV42-110 antenna is easily mounted to a 2" to 3" tube. The mounting hardware is suitable for both horizontal and vertical polarisation.

Suitable cable: RG8, RG213 or similar.



September 2018

All specifications are subject to change without notice

The information contained herein is for reference only and does not constitute a warranty of performance

Partnered Supplier



sales@eylex.com.au

www.eylex.com.au