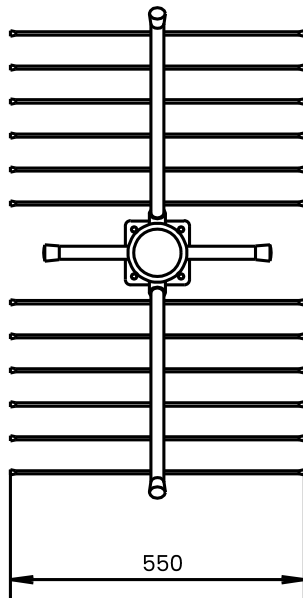
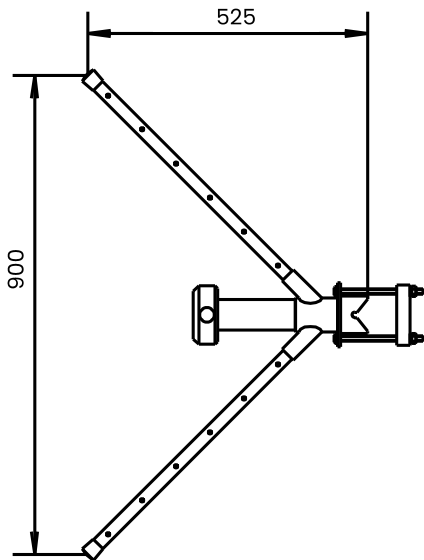


AV40-330

UHF, 9.5 dBi, corner reflector antenna, rear feed, mast mount 0.9 m, 328-336 MHz

Commercial and Marine Antennas



Dimensions in mm

Application

AV40-330 is a half wave dipole with a 90° corner reflector designed for Fairfield ILS-glide path monitoring. Weather protection is achieved by embedding all conductors in fibreglass reinforced polyester. Cavities are filled with polyurethane foam.

Electrical Specifications

Frequency Range	328-336 MHz
Nominal Impedance	50 Ω
Power Rating	50 W
Gain	9.5 dBi
3 db Beamwidth E-plane: 3 db Beamwidth H-plane:	+/- 30° +/- 32°
Polarisation	Linear
Connector	N-connector female
VSWR	< 1.5

Mechanical Specifications

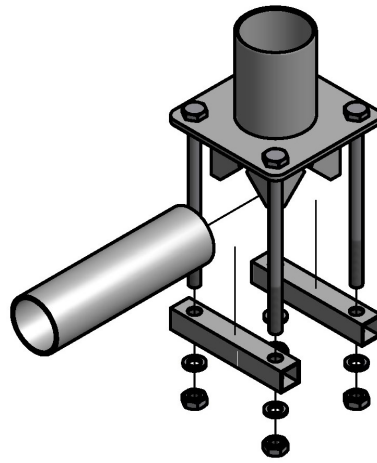
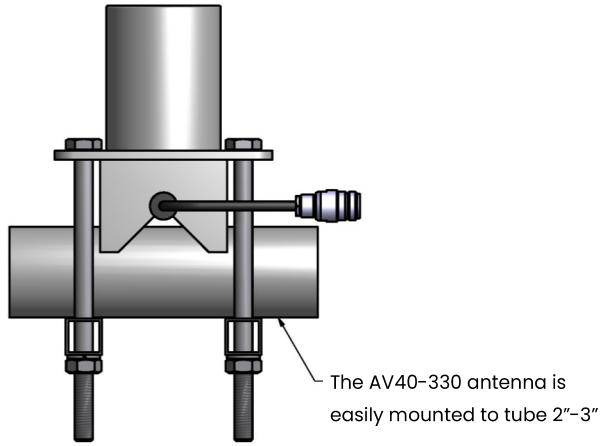
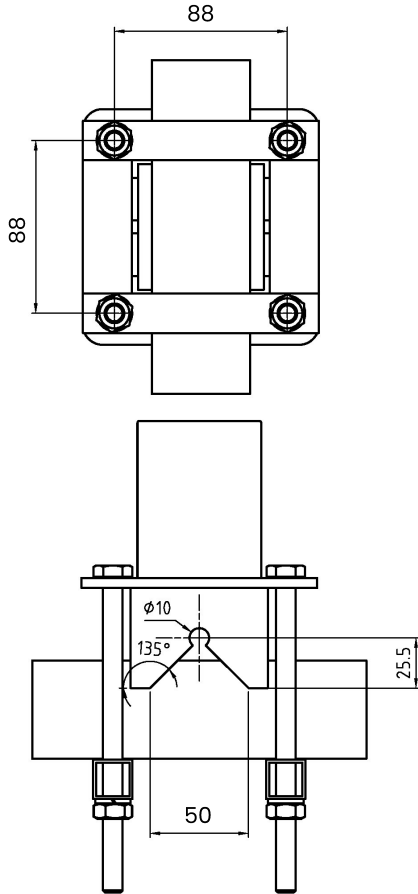
Design	Half wave dipole. Radiating elements completely enclosed in polyurethane foam within a fibreglass tube. Hot dip galvanised mounting hardware.
Height	see drawing
Weight	2.6 kg
Wind Rating	55 m/s = 201 kph
Finish	Polyurethane lacquer, white
Temperature Range	- 55°C to + 55°C

Mounting

The AV40-330 antenna is easily mounted to tube 2"-3".

The mounting hardware is suitable for both horizontal and vertical polarisation.

Suitable cable: RG8, RG213 or similar.



The mounting hardware is suitable for both horizontal and vertical polarisation

September 2018

All specifications are subject to change without notice
The information contained herein is for reference only and does not constitute a warranty of performance

Partnered Supplier



sales@eylex.com.au
www.eylex.com.au

