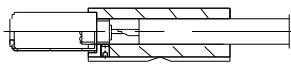
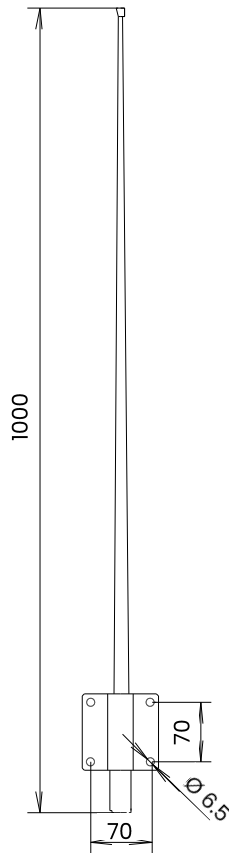


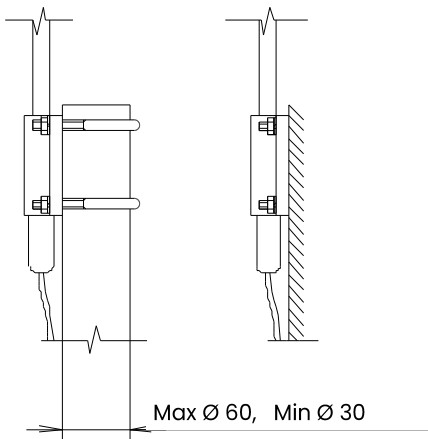
AV10M

UHF, 5 dBi, one piece whip, dipole, end feed, mast mount, 1 m,
450-470 MHz

Commercial and Marine Antennas



Connector



Application

AV10 is a high quality antenna designed to operate with UHF radios. It is especially suited for marine use, as a base station antenna and for all applications where quality is essential.

Electrical Specifications

Frequency Range	450-470 MHz
Nominal Impedance	50 Ω
Power Rating	50 W
VSWR	1.5
Gain	5 dbi
Pattern	Horizontal plane: Omnidirectional Vertical 3db-width: 360
Polarisation	Vertical
Connector	N female is standard
DC Grounded	Yes

Mechanical Specifications

Design	Centre fed collinear dipole array. Radiating elements completely enclosed in polyurethane foam within a fibreglass tube. Mounting bracket in aluminium.
Height	1 m
Weight	1 kg, including U-bolts
Wind Rating	55 m/s = 201 kph
Water Proofing	IP67
Finish	Polyurethane lacquer, white
Temperature Range	- 55°C to + 55°C

Mounting

AV10 is easily mounted to the bulkhead by means of 4 holes in the aluminium bracket, or to a mast or tube by U-bolts. The tube may be horizontal or vertical. The U-bolts in stainless steel, are included.

Suitable cable: RG8, RG213 or similar.

September 2018

All specifications are subject to change without notice
The information contained herein is for reference only and does not constitute a warranty of performance

Partnered Supplier



sales@eylex.com.au
www.eylex.com.au