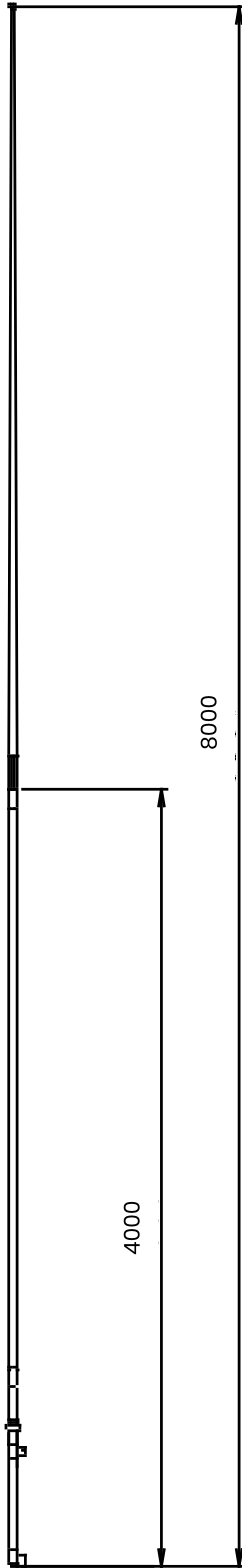


## AT80B

Radio beacon, two-piece sectional whip, transmitting, monopole,  
8 m, 200–500 KHz

### Commercial and Marine Antennas



### Application

The AT80B radio beacon transmitting antenna is a high quality fibreglass antenna, designed to operate in the frequency range 200–500 kHz. Its construction makes it ideal for use in harsh environments.

### Electrical Specifications

<b>Frequency Range</b>	200–500 kHz
<b>Power Rating</b>	150 W
<b>Resonance Frequency</b>	750 kHz
<b>Static Capacitance</b>	90 pf at 300 kHz

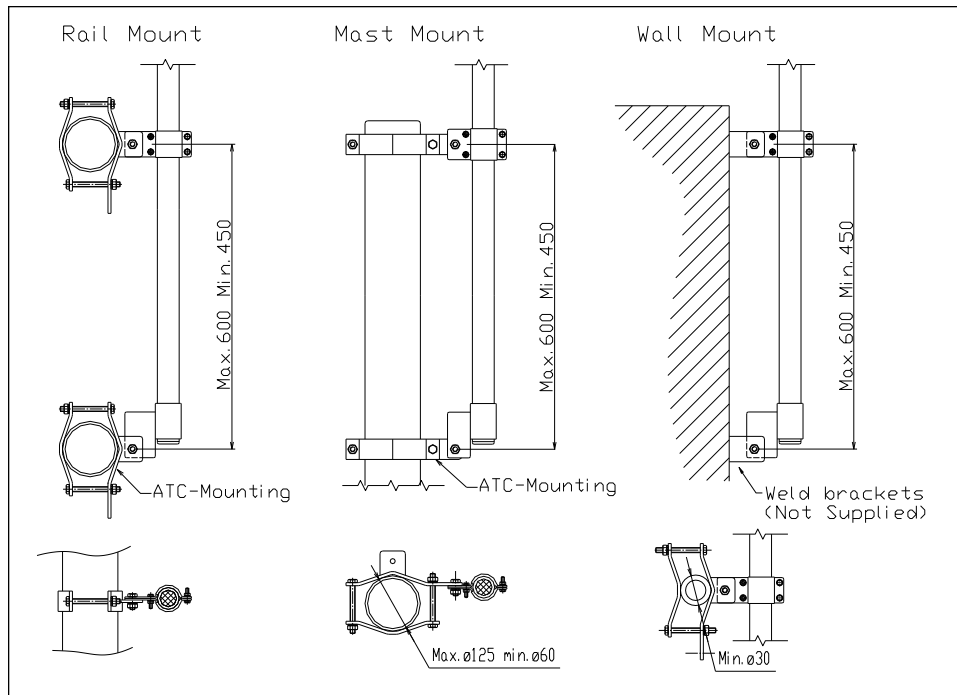
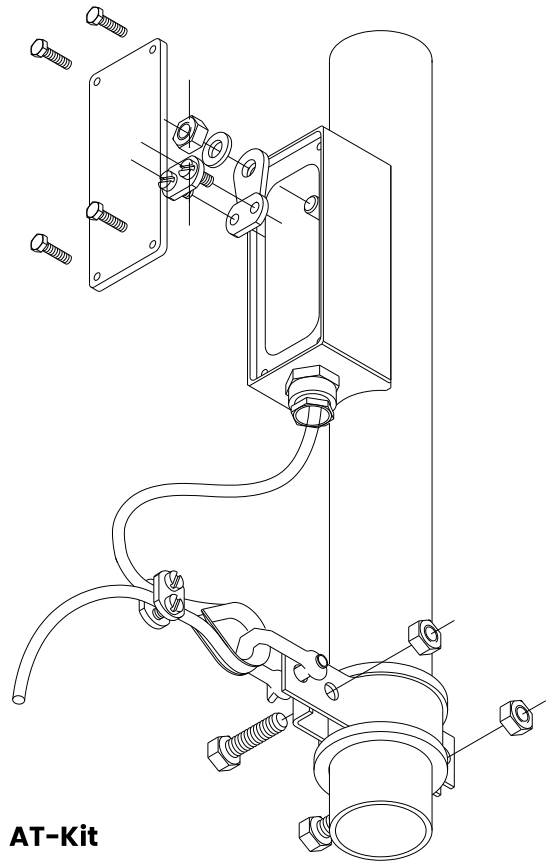
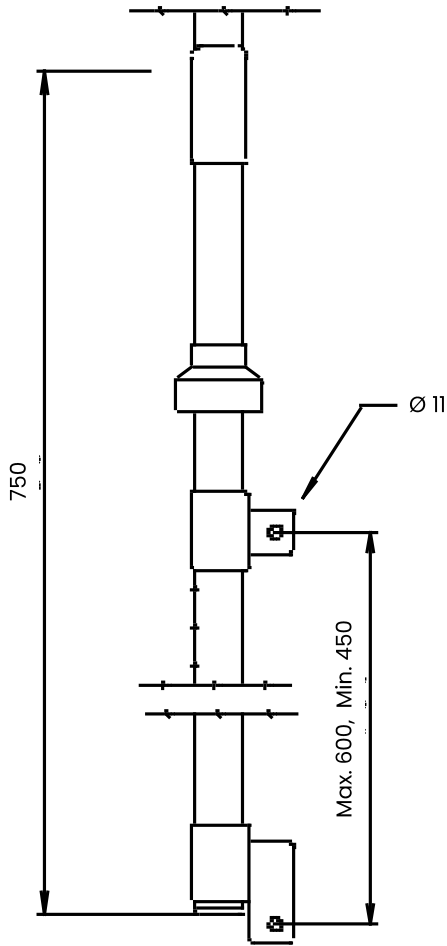
### Mechanical Specifications

<b>Design</b>	Self supporting fibreglass mast antenna. Brackets in hot dip galvanised steel.
<b>Height</b>	8 m
<b>Weight</b>	10 kg
<b>Sections</b>	Base section ATB40B Top section APB41
<b>Wind Rating</b>	55 m/s = 201 kph
<b>Moment of Flexure</b>	80 kpm at 55 m/s
<b>Deflection due to Wind Load</b>	3.7 m at tip ball at 55 m/s wind load
<b>Finish</b>	Polyurethane lacquer, white
<b>Temperature Range</b>	- 55°C to + 55°C
<b>Ice Build Up</b>	Not affected

### Mounting

Mounting by means of 2 x M10 bolts to welded brackets or to a mast by means of the ATC-mounting (included).

Suitable feeding cable: 7 x 7 x 0.6 mm hard drawn copper wire.



September 2018

All specifications are subject to change without notice  
 The information contained herein is for reference only and does not constitute a warranty of performance

Partnered Supplier



sales@eylex.com.au  
 www.eylex.com.au

