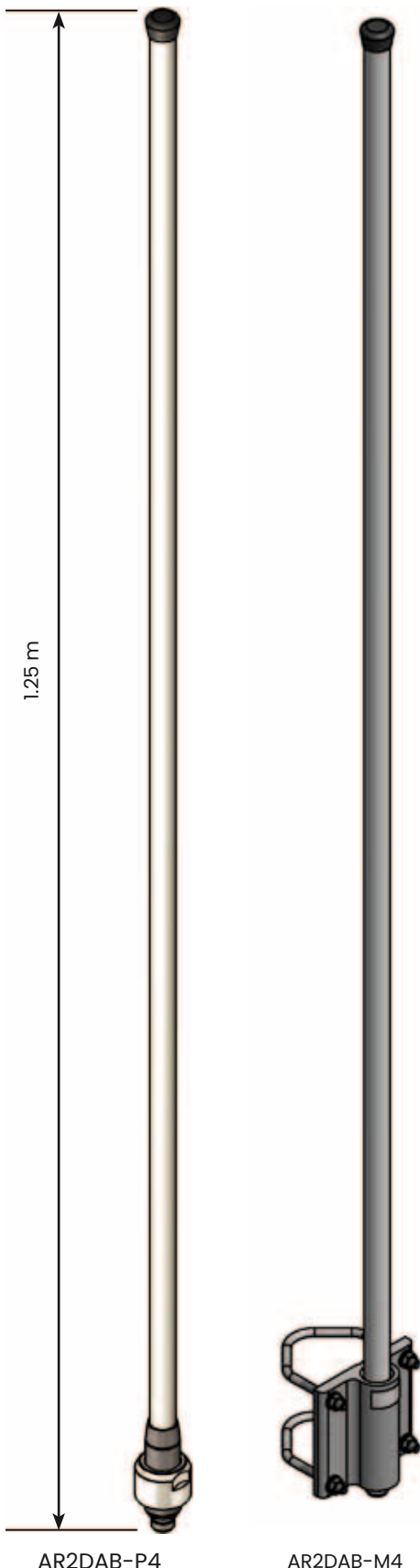


AR2DAB Series

VHF, UHF, DAB, one piece whip, dipole, end fed, 1.25 m,
88-108 MHz, 160-250 MHz, 1400-1500 MHz

Commercial and Marine Antennas



Application

The AR2DAB series of antennas are high quality broadcast receiving antennas designed for use on pleasure craft as well as commercial vessels.

The antennas are design to operate over the two DAB frequency bands of 174 - 240 MHz and 1452 - 1492 MHz in addition to the regular FM-band of 88 - 108 MHz.

Electrical Specifications

Frequency Range	160 - 250 MHz 1400 - 1500 MHz 88 - 108 MHz
Nominal Impedance	50 Ω *
Power Rating	Receiving Antenna
Polarisation	Vertical
Connector	N female
DC Grounded	Element is grounded, DC block to prevent short of DC supply voltage from radio

* A 50 Ω coaxial cable is recommended between antenna and receiver (even if the receiver is specified to be 75 Ω).

Mechanical Specifications

Design	Whip with transformer. Radiating element completely enclosed in polyurethane foam within a fibreglass tube.
Height	1.25 m
Weight	0.5 kg
Wind Rating	55 m/s = 201 km/h
Finish	Polyurethane lacquer, white
Temperature Range	- 55°C to + 71°C
Mounting	see diagrams overleaf

Models

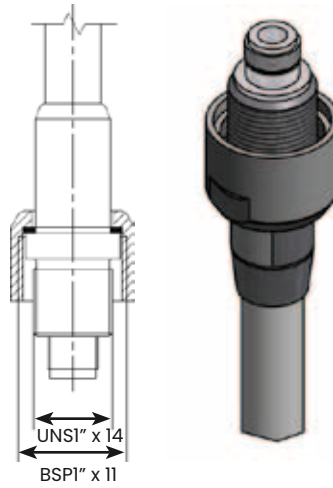
AR2DAB-P4	1.25 m DAB / FM receiving antenna, threaded mounting
AR2DAB-M4	1.25 m DAB / FM receiving antenna, bulkhead or pole mounting

Mounting

AR2DAB-P4

AR2DAB-P4 is fitted with a UNS 1" x 14 male mounting thread and BSP 1" x 11 nut.

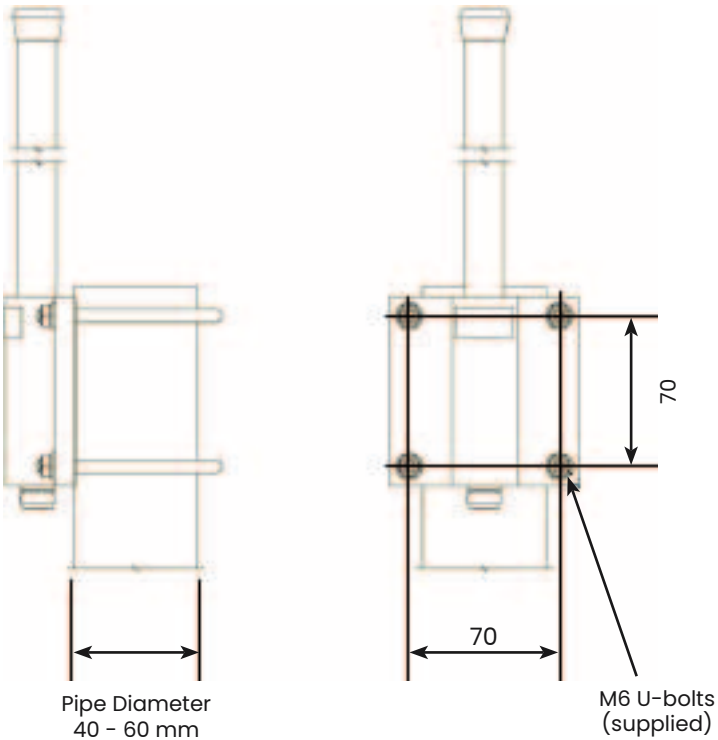
The AR2DAB-P4 can be used with all standard mounting accessories.



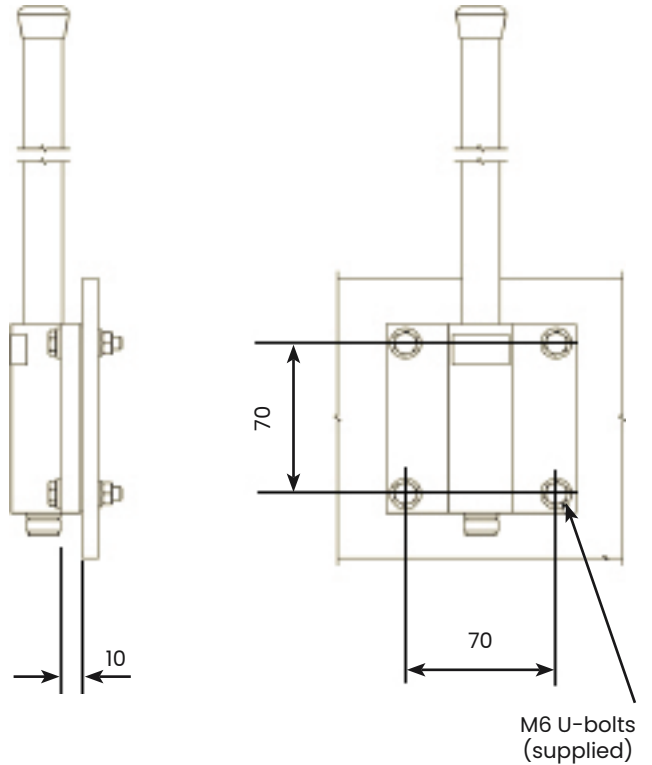
AR2DAB-M4

The AR2DAB-M4 is fitted with a mounting plate that can be bolted directly onto a suitable surface or to a mounting pole using the supplied 'U' bolts.

Pole Mounting



Direct Mounting



September 2018

All specifications are subject to change without notice
The information contained herein is for reference only and does not constitute a warranty of performance

Partnered Supplier



sales@eylex.com.au
www.eylex.com.au

