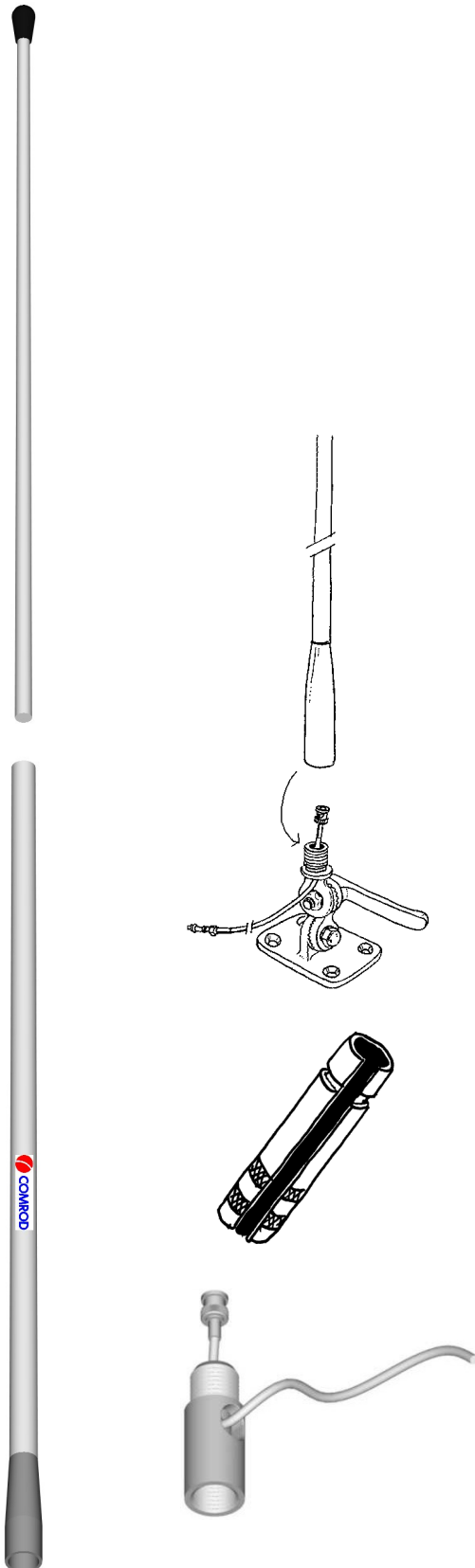


## AM-FM60BI8

AM, FM, one piece whip, monopole, end feed, BI thread mount,  
2.45 m, 0.15-108 MHz

### Commercial and Marine Antennas



### Application

The AM/FM60BI8 is broadcast receiving antenna. It is designed for use on pleasure craft, but the high quality means it may be installed on all kinds of vessels. The antenna is also well suited as a passive Navtex receiving antenna.

It comes with integrated BNC coaxial contact.

### Electrical specifications

<b>Frequency Range</b>	0.15 – 108 MHz
<b>Nominal Impedance</b>	75 $\Omega$
<b>Power Rating</b>	Receiving antenna
<b>Polarisation</b>	Vertical
<b>Connector</b>	BNC female
<b>DC Grounded</b>	Yes

### Mechanical Specifications

<b>Design</b>	Whip with transformer. Radiating element completely enclosed in polyurethane foam within a fibreglass tube.
<b>Height</b>	2.45 m
<b>Weight</b>	1.1 kg
<b>Wind Rating</b>	55 m/s = 201 kph
<b>Finish</b>	Polyurethane lacquer, white
<b>Temperature Range</b>	- 55°C to + 71°C

### Mounting

The AMFM60BI8 is fitted with UNS1"x14 female ferrules.

Can be used with all standard mounting accessories.

Integrated BNC female coaxial connector.

All BI versions come with a tool to mount the BNC male coaxial connector inside the stainless steel ferrule.

AV-C adaptor: To be able to make all 1.25 m and 2.45 m -BI version antennas - to a side feed cable version (to compensate for all C-version) - AV-C adaptor is required.

4-way bracket and coaxial cable not included.

UNS: Unifield Special

## Accessories: (optional extra)

RG58 Cable.

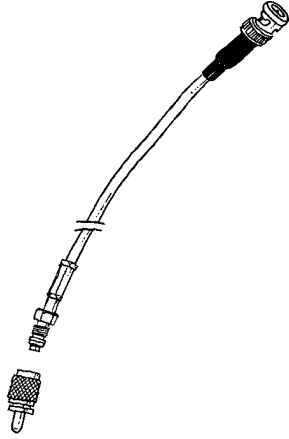
Available in:

12 m

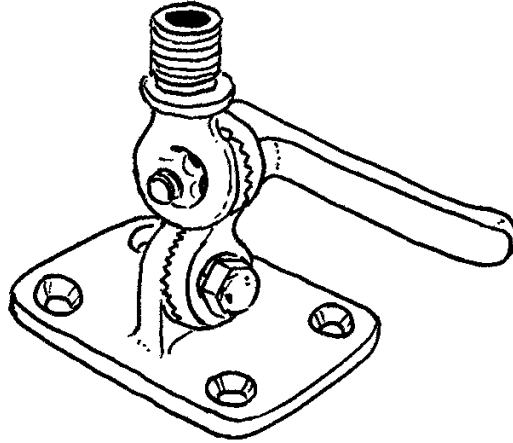
7 m

5 m

0.6 m



4 way bracket



Extension Masts



September 2018

All specifications are subject to change without notice  
The information contained herein is for reference only and does not constitute a warranty of performance

Partnered Supplier



[sales@eylex.com.au](mailto:sales@eylex.com.au)  
[www.eylex.com.au](http://www.eylex.com.au)

