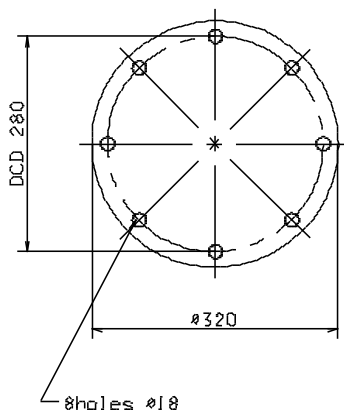
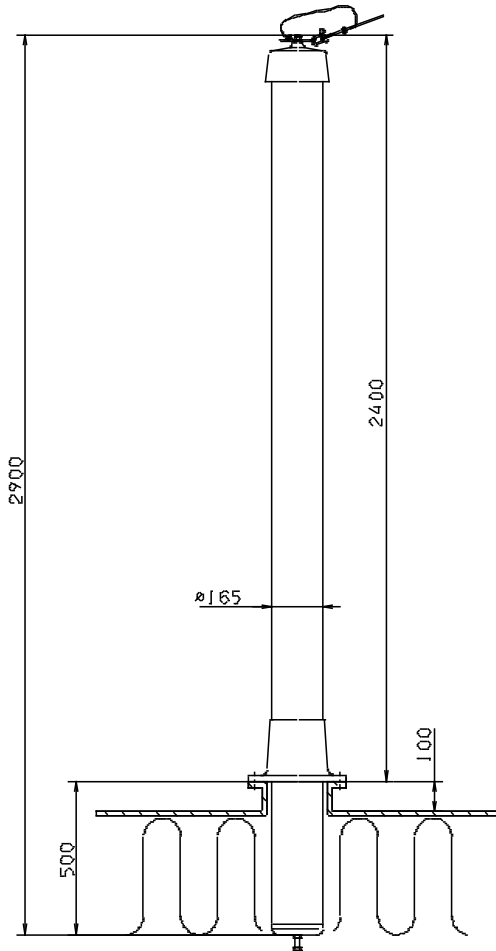


AG300

Insulator, lead-through, 2.9 m, 25 kV
Commercial and Marine Antennas



Application

AG300 is a lead-through insulator for use together with marine main radio stations or in other demanding installations. It can be used together with long-wire antennas or mast antennas. The complete fibreglass construction gives you a compact, easily installed insulator with low capacitive losses.

Electrical Specifications

Design	Fibreglass tube with fibreglass flange and end caps. Conductor is sealed inside the tube by means of polyurethane foam.
Length	2.9 m
Weight	16.0 kg
Maximum Horizontal Load at Top	100 kp
Finish	Polyurethane lacquer, white
Temperature Range	- 55°C to + 55°C

Mechanical Specifications

Insulation	Minimum 10 M Ω
Maximum RF Voltage	25 kV
Frequency Range	250 kHz - 30 MHz

Mounting

The insulator is mounted by means of 8 M16 bolts on wheelhouse roof or deck.

Neoprene gasket and wire clamp for aerial wire are supplied. Transmitting terminal is cleat for 8 mm copper tube. No strain insulator is required, strain relief is done by means of supplied thimble and shackle connected to top plate.

Suitable antenna feed line: 7 x 7 x 0.6 copper wire. Special version with other tube lengths are available on request.

4 m, 3.5 m and 0.4 m are in stock.

September 2018

All specifications are subject to change without notice
The information contained herein is for reference only and does not constitute a warranty of performance

Partnered Supplier



sales@eylex.com.au
www.eylex.com.au