

Heavy Duty Telescopic Masts

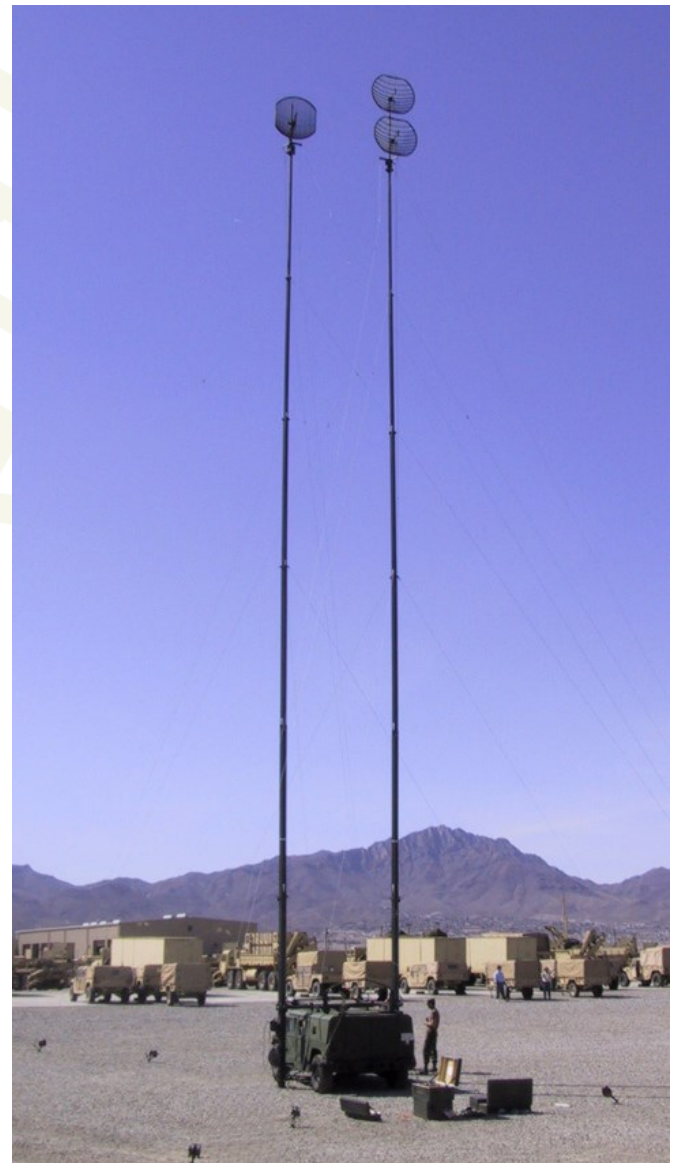
24.5 – 30 m telescopic aluminium mast kit, manual or motorised winch

Tactical Masts: Telescopic Winch



Overview

- Heavy duty aluminium telescopic mast capable of supporting heavy top loads
- Heights up to 30 metres
- Top loads up to 117 kg*
- Hand cranked manual winch or optional electrically driven winch
- Mast rotation to enable azimuth top load pointing
- Manufactured from lightweight hexagonal aluminium tubes
- Easily installed by two people
- Top interface can be adapted to suit the client top load
- Suitable for elevating antennas, sensors, optronic equipment etc
- All metal parts are plated or painted aluminium or stainless steel
- Thousands of masts in-service worldwide
- Meets MIL-STD-810F environmental standard for operation in extreme conditions

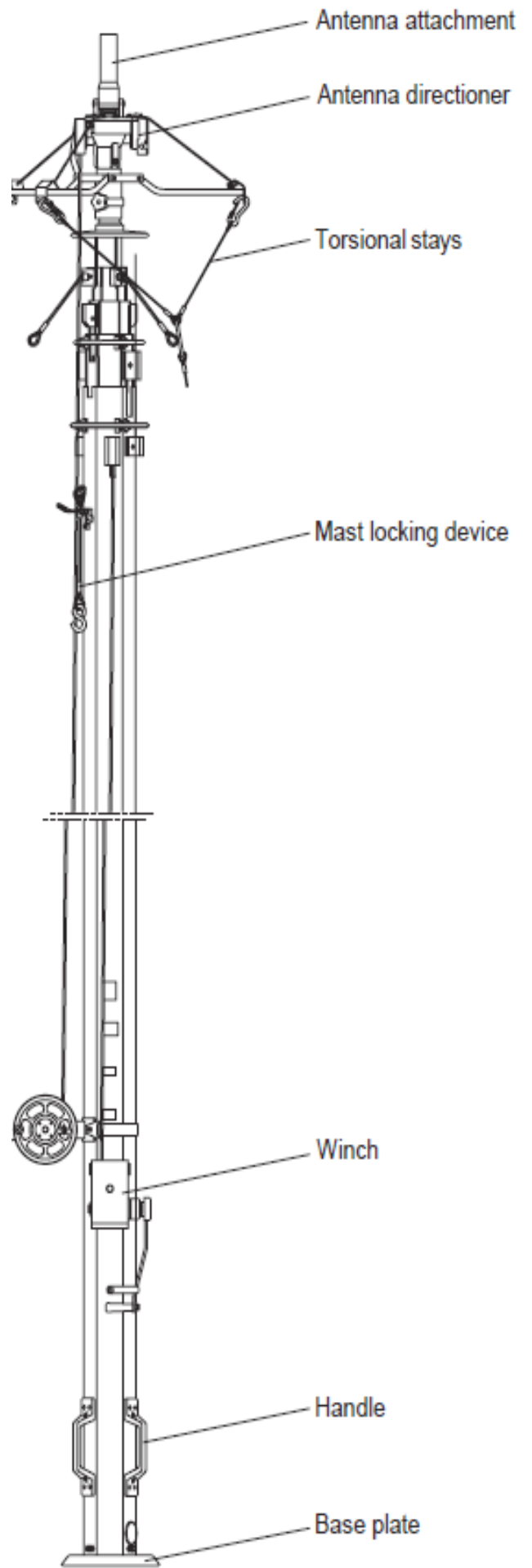
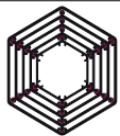


Mast Type	TM 150/25-5.9	TM 170/25-4.8	TM 210/24.5-5	TM 210/30-5.9
Elevated Height	25 m	25 m	24.5 m	30 m
Retracted Height	5.9 m	4.8 m	5 m	5.9 m
Max Top Load*	60 kg	40 kg	117 kg	117 kg
Max. Headload Area*	0.8 m ²	0.8 m ²	2 x 1.2 m ²	2 x 0.7 m ²
Number of Sections	5	6	6	6
Number of Stays / Levels	3 x 4	3 x 4	3 x 4	3 x 4
Guy Radius	12 m and 8.7 m	12 m and 8.7 m	7/11.5/12.5 m	15/16/17 m
Maximum Wind Speed	30 m/s (107 kph)	27.8 m/s (99 kph)	35.6 m/s (128 kph)	33 m/s (119 kph)
Headload Attachment	Ø 66 mm	Ø 66 mm	Ø 100 mm	Ø 66 mm
Mast Weight	105 kg	123 kg	231 kg	220 kg
Accessories Weight	77 kg	102 kg	120 kg	120 kg

* Typical values shown. Actual values will be subject to a combination of top load weight, top load area and pointing accuracy required.

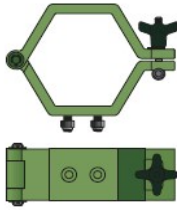


The hexagonal sections move inside each other on plastic guideways which provide the masts with excellent stability and torsional resistance.

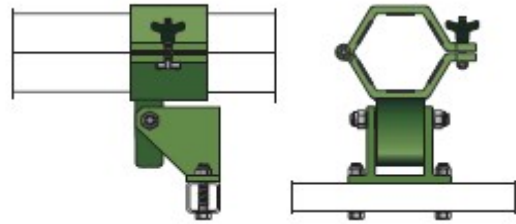


Options - Vehicle and Shelter Mounting Brackets

Comrod has a wide range of brackets for mounting heavy duty series aluminium masts onto vehicles, shelters and buildings. Please contact Eylex to discuss your specific requirement.



Fixed brackets

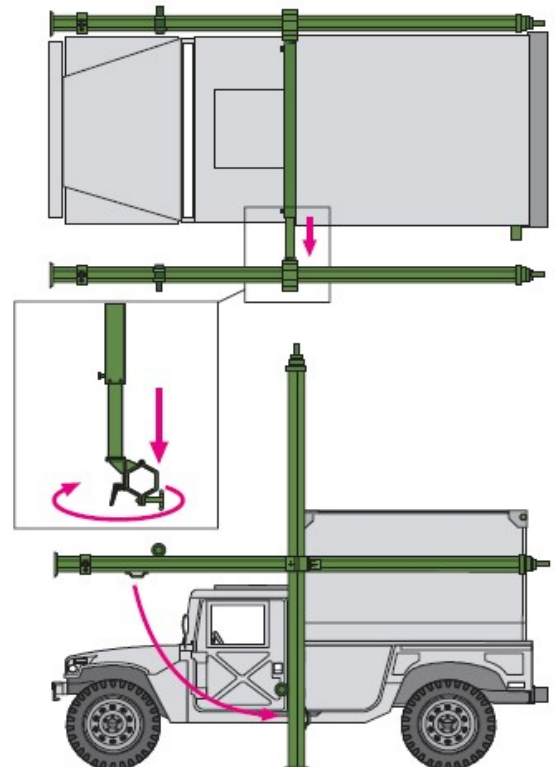


Hinged brackets



PAM (Pull-out Assist Mechanism)

PAM brackets support the full weight of the mast during deployment from a vehicle or shelter. The PAM main components are an inner and outer square tube, friction clutch and clamp for holding the mast. The outer square tube is used to mount the assembly to the shelter wall of the roof of the transport vehicle. The inner square tube is connected to the mast clamped by a spring loaded friction clutch and is extended or retracted by means of roller wheels.



PAM (Pull-out Assist Mechanism) - Continued



Mast in transport position



Mast weight fully supported during deployment



Mast fully deployed

Top Load Accessories and Ancillaries

Comrod has a wide range of top load accessories to compliment the lightweight series aluminium masts. Accessories are available such as antennas directioners, rotators, tilters, dual rotator/tilters, extension tubes. Rotators and tilters can be operated manually using ropes or can be motor driven. Please contact Eylex to discuss your specific requirement.



Directioners
(Rotator/Tilter)



Tilters



Single and Dual
Rotators



Mounting Bars



Headload
Adaptors

April 2020

All specifications are subject to change without notice
The information contained herein is for reference only and does not constitute a warranty of performance

Partnered Supplier



sales@eylex.com.au
www.eylex.com.au

