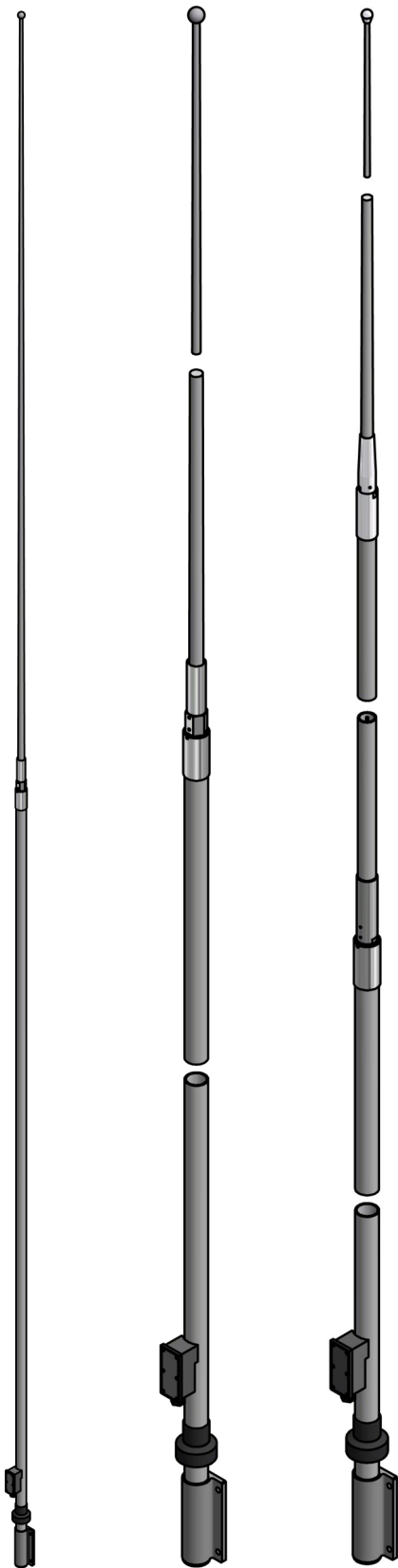


## AT82M Series

HF, two or three piece sectional whip, monopole, side feed,  
mast mount, 8 m, 1.6–30 MHz

### Commercial and Marine Antennas



2-section

3-section

### Application

AT82M is a high performance glass-fibre transmitting antenna for marine coastal and HF telephony bands (simplex and duplex SSB). It matches well modern SSB marine telephony transmitters.

The antennas can be part of any MF/HF communication system but is specially designed to satisfy the demands of the GMDSS.

The AR82M can be supplied as a two or three section antenna. The three section (AT82M-3) has a shipping dimension of under three metres.

### Electrical Specifications

<b>Frequency Range</b>	1.6–30 MHz
<b>Power Rating</b>	1.5 kW PEP
<b>Impedance</b>	See separate section
<b>Polarisation</b>	Vertical
<b>Pattern</b>	Omnidirectional
<b>Electrical Length</b>	7.5 m

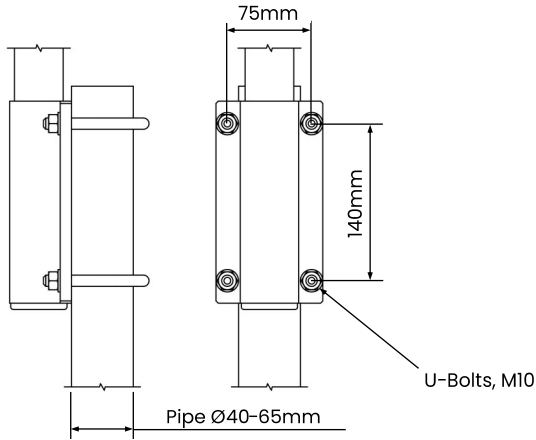
### Mechanical Specifications

<b>Design</b>	Self supporting fibreglass rod with plated aluminium mounting hardware.
<b>Height</b>	8 m nominal
<b>Weight</b>	2-section: 8.2 kg 3-section: 8.3 Kg
<b>Sections</b>	2-section: Base: AXB42 Bracket, side feed Top: APB41 3-section: Base: AXB32M-S (with U-Bolts) Middle: ASM25-2 Top: APB25
<b>Wind Rating</b>	55 m/s = 201 kph
<b>Moment of Flexure</b>	90 kpm at 55 m/s
<b>Deflection Due to Wind Load</b>	4.6 m at tip ball at 55 m/s wind load
<b>Finish</b>	Polyurethane lacquer, white
<b>Temperature Range</b>	- 55°C to + 55°C
<b>Ice build-up</b>	Not affected
<b>Water Proofing</b>	IP67

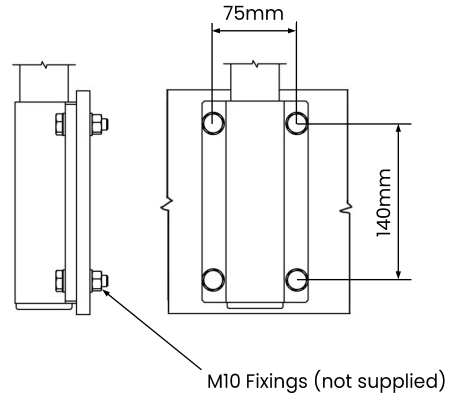
## Mast/wall mounting

Mounting by means of U-bolts with nuts (included) or directly on wall or steel plate.

### Pole Mounting



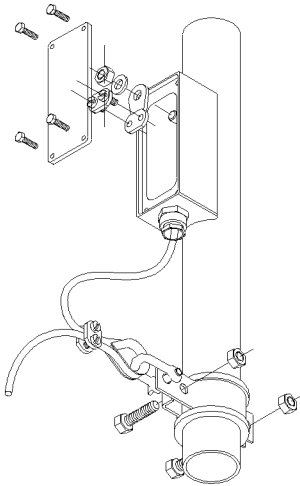
### Wall/Bulkhead Mounting



## Feed Options

The AT82M can be supplied as standard with a side feed or with an optional passive transformer.

### Side Feed (standard)



### Passive Transformer AT-T (option)



The AT-T is a broadband transformer with gain comparable to a commercial marine tuner. It has a 50 ohm N-Type female connector and a power rating of 150W.

See datasheet AT-T for a detailed specification.

## Impedance Measurements

Antenna mounted on a 2 m steel pipe over flat steel roof. Feed line 2 m.

Frequency (MHz)	Transmitting Antenna 8 m
1.6	4-j1.060
2.0	5-j800
3.0	9-j470
4.0	11-j290
5.0	20-j145
6.0	28-j38
7.0	55+j55
8.0	60+j155
10.0	200+j400
12.0	1000+j300
16.0	500-j500
18.0	250-j450
22.0	70-j80
25.0	240-j200
30.0	400-j300

---

All specifications are subject to change without notice  
The information contained herein is for reference only and does not constitute a warranty of performance

Partnered Supplier



[sales@eylex.com.au](mailto:sales@eylex.com.au)  
[www.eylex.com.au](http://www.eylex.com.au)

