

AT73 Series

HF, two piece sectional whip, monopole, end feed, 7 m, 1.6-30 MHz
Commercial and Marine Antennas



Application

The AT73 series of antennas are a high quality fibreglass HF antenna for marine coastal and SSB telephony bands. They are a high quality antenna with a durable construction and a beautiful finish for installation on all kinds of vessels.

The antenna is side fed and the bottom bracket does not need to be insulated.

Electrical Specifications

Frequency Range	1.6 - 30 MHz
Power Rating	1 kW PEP
Static Capacitance	70 pF at 2 MHz
Polarisation	Vertical
Pattern	Omnidirectional
Electrical Length	6.8 m
Feed System	Open wire, side fed

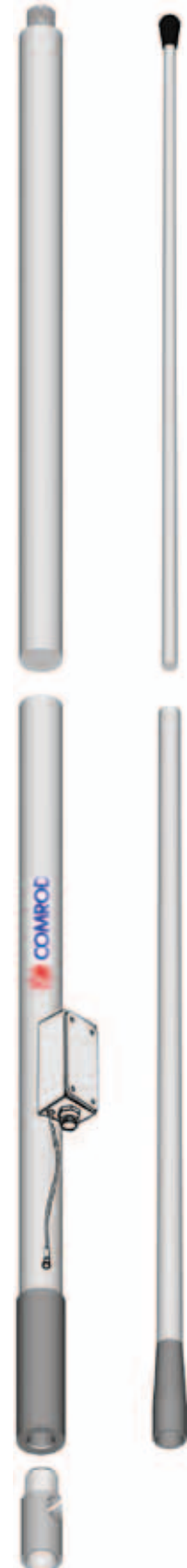
Mechanical Specifications

Design	Fibreglass whip in two sections. Stainless steel.	
Height	7.30 m	
Weight	5.1 kg	
Sections	Base	3.5 m
	Top	3.5 m
Wind Rating	55 m/s = 201 km/h	
Moment of Flexure	85 kpm at 55 m/s	
Deflection Due to Wind Load	4.2 m at tip ball with 55 m/s wind load	
Finish	Polyurethane lacquer, white Chrome plated fittings	
Temperature Range	- 55°C to + 71°C	
Ice Build-up	Not affected	

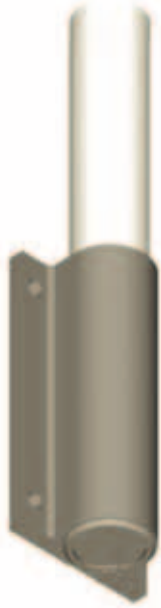
Mounting

The antenna is mounted at the superstructure with a UNS1" x 14 base and a 1½" support at least 0.5 m above the base. Support and base not included.

If the AT73TS23-2 HF antenna has to be mounted symmetrically with the AV100BI23-2 VHF antenna, an AV-C adaptor is required between the base section and the bottom bracket on AT73TS23-2 as on AV100BI23-2.



Different Versions



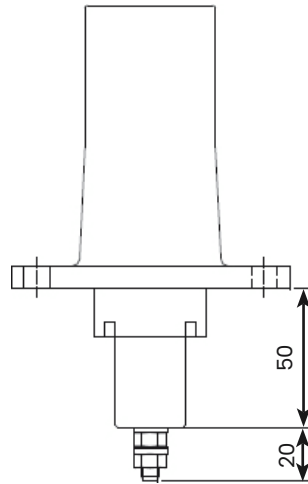
AT73M23-2
Mast Mount
Self-Supporting
Side Fed



AT73D23-2
Deck Mount
Self-Supporting
End Fed

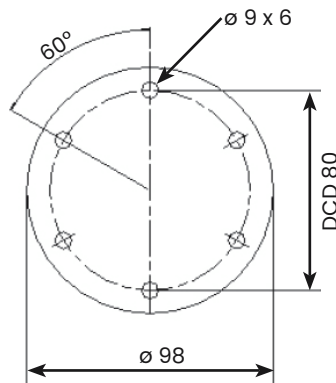


AT73TS23-2
Standoff Mount
Side Fed



Mounting

The AT73M16-2 is easily mounted to the bulkhead by means of 4 holes in the aluminium bracket, or to a mast or tube with U-bolts. The stainless steel U-bolts are included.



Mounting

To be mounted at superstructure with UNS1" x14 base and support approximately 1.5' up. Stand off support and base are not included.

To be able to have cable feed at the bottom of the antenna above the mounting bracket, an AV-C adaptor (included) can be used.

September 2018

All specifications are subject to change without notice

The information contained herein is for reference only and does not constitute a warranty of performance

Partnered Supplier



sales@eylex.com.au
www.eylex.com.au

