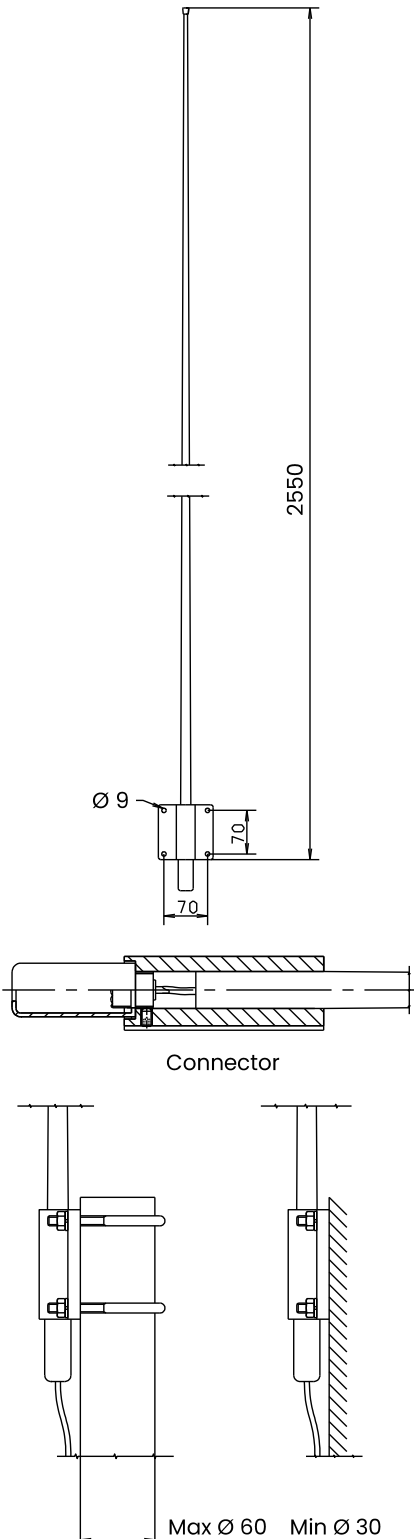


## AR30M8

HF, one piece whip, monopole, end feed, mast mount, 2.6 m,  
0.5–30 MHz

### Commercial and Marine Antennas



### Application:

AR30M8 is an efficient fibreglass receiving antenna for the marine coastal and HF communication frequencies.

### Electrical Specifications:

<b>Frequency Range</b>	0.5–30 MHz
<b>Pattern</b>	Omnidirectional
<b>Polarisation</b>	Vertical
<b>Connection</b>	UHF female connector

### Mechanical Specifications:

<b>Design</b>	Self-supporting fibreglass whip with aluminium armature for mounting and connection
<b>Height</b>	2.55 m
<b>Weight</b>	0.7 kg, including U-bolts.
<b>Number of Sections</b>	1
<b>Wind Rating</b>	55 m/s
<b>Moment of Flexure</b>	4.5 kpm at 55 m/s
<b>Deflection due to Wind Load</b>	1.6 m at tip ball at 55 m/s wind load
<b>Finish</b>	Polyurethane lacquer, white
<b>Temperature Range</b>	– 55°C to + 55°C

### Mounting:

AR30M8 is easily mounted to the bulkhead by means of 4 holes in the aluminium bracket, or to a mast or tube with U-bolts. The U-bolts in stainless steel, are included. Suitable cable: RG8, RG213 or similar.

September 2018

All specifications are subject to change without notice  
The information contained herein is for reference only and does not constitute a warranty of performance

Partnered Supplier



sales@eylex.com.au  
www.eylex.com.au