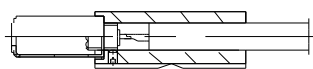
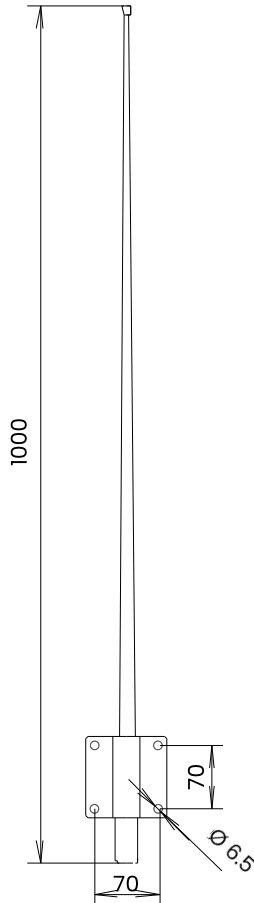


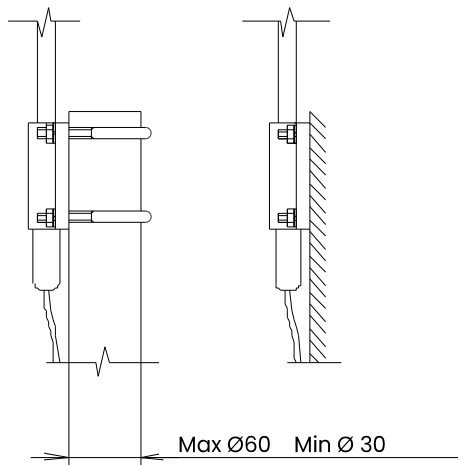
AR10MA/MF

HF, one piece whip, monopole, end feed, UHF-conn, mast mount,
1 m, 0.25-2.5 MHz

Commercial and Marine Antennas



Connector



Application

AR10MA/MF is an efficient active fibreglass receiving antenna for frequencies between 0.25-2 MHz. It is intended for use together with a Navtex or Differential - GPS receiver. The antenna has good large signal handling characteristics, and is also very sensitive. The power supply is via the coaxial cable from the receiver.

Electrical Specifications

The antenna is protected against static discharges and surges at the power line.

| | |
|------------------------|---|
| Frequency Range | 0.25-2.5 MHz |
| Pattern | Omnidirectional |
| Polarisation | Vertical |
| Impedance | 50 W |
| Antenna Factor | 0.1 - 1 |
| Supply Voltage | 9-15 V |
| Sensitivity | 0.025uV/ $\sqrt{\text{Hz}}$ for 0 dB S/N at 500 KHz |
| Connector | UHF female is standard |

Mechanical Specifications

| | |
|---------------------------|--|
| Design | Fibreglass whip with amplifier in the base |
| Height | 1.1 m |
| Weight | 1 kg, including U-bolts |
| Number of Sections | 1 |
| Wind Rating | 55 m/s |
| Moment of Flexure | 2.5 kpm at 55 m/s wind load |
| Finish | Polyurethane lacquer, white |
| Temperature Range | - 55°C to + 71°C |

Mounting

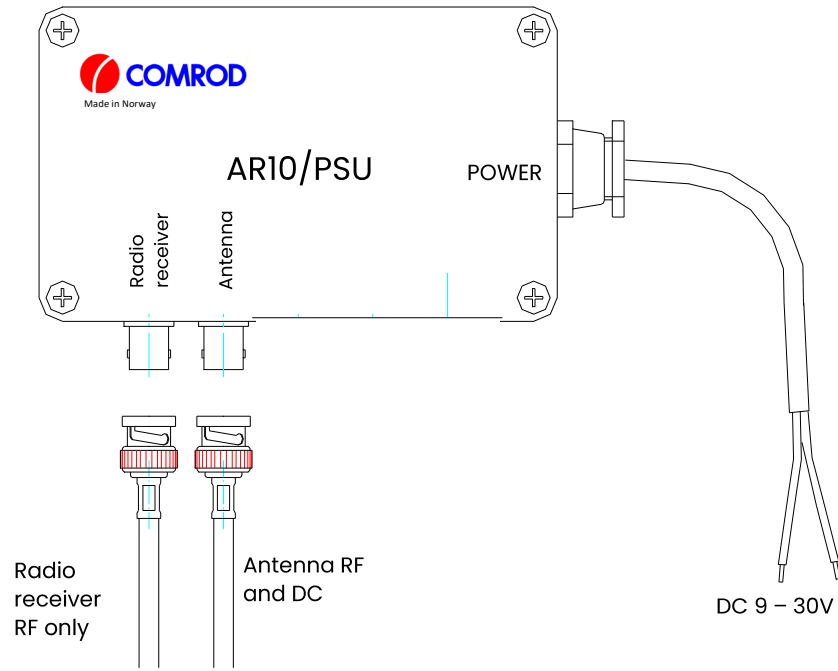
AR10MA/MF is easily mounted to the bulkhead by means of 4 holes in the aluminium bracket, or to a mast or tube with U-bolts. The U-bolts in stainless steel, are included.

Suitable cable: RG58, RG213 or similar.

Accessories: Power supply unit, see next page.

Accessories:

Power Supply Unit



Electrical Specifications: AR10/PSU:

The AR10/PSU is a stabilised power supply unit for power supply via the antenna coaxial cable.

It comes with a AC230V/DC12 V adaptor.

| | |
|------------------------|--|
| Frequency Range | 0.2-10 MHz |
| Impedance | 50 W |
| RF Loss | < 0.2 dB |
| Supply Voltage | In: 9-12 V → Out: Same as input voltage In: 12-30 V → Out: 12 V |
| Connector | BNC |

September 2018

All specifications are subject to change without notice
The information contained herein is for reference only and does not constitute a warranty of performance

Partnered Supplier



sales@eylex.com.au
www.eylex.com.au

